

ULTRAM SERIES

20 Years ago, Marco changed the boundaries of conventional slit lamp design and performance with the original Ultra Series. Today, the **Ultra M Series** introduces a new era of diagnostic empowerment. Marco has again established the latest standard in slit lamp examinations.

The complete **Ultra M Series of Slit Lamps** have been fully redesigned and engineered to accommodate and maximize the benefits of the new, **superior LED slit lamps**. The new LED illumination, with a color temperature of 3500 K, allows greater visibility and clarity of anatomy and tissue structure, with brighter and sharper light.

A **single element, high-luminance LED** provides a beautifully consistent and uniform light compared to multiple element LEDs.

Patented integrated background illuminators (standard in Ultra M4 and M5 models), optimize use with an imaging system. The color balance of an image is not lost or compromised when the same LED is used for the main light source and background illumination.

The **intensity control** of the background illumination is easily found and adjusted with a single, **illuminated knob**, conveniently placed adjacent to the joy stick.

The peak of the characteristic blue band LED spectrum has been diminished with the **Blue LED Correction Filter**. The Ultra M series are also equipped with Blue, Red-free (and Yellow light filters on M3, M4, and M5 models).

Our continuous pursuit in improving visibility of the fundus while simultaneously maintaining superior visibility of the anterior segment has resulted in the **best, brightest, and sharpest optical quality** in the Ultra M Series of slit lamps.

The aperture diameter of the **slit length has been extended**, from 10mm to 14mm (continuously variable from 0-14mm), allowing a wider area of anterior segment illumination and also a **wider field of view**.

The selection of component and **intelligent control sizes, placement, and interface** have been deliberately and carefully reimagined to address superior ergonomics and usability.

Patient **fixation target is a red LED** on a continuously flexible shrouded cable.

A **Large patient chinrest is standard** equipment with the Ultra M4 & M5, and provided as an optional accessory on the Ultra M2. Patient grips provide superior, comfort and positioning

The **Ultra M Slit Lamps are pre-mounted on a single plate** for facilitated set-up and stability.

The Ultra M Series of slit lamps have **eliminated visibly exposed cables**. Even the power supply is fully concealed and the **transformer is incorporated in the base-housing**. The conventional power cable from the chinrest to the light housing has been eliminated- now neatly concealed within the slit lamp body. Likewise, background illumination has been built-in to the Ultra M4 and M5 tower designs.

The **Ultra M Slit Lamps are neat and compact** with no exposed wiring, giving them a noticeably sleek and stylish appearance. **Contemporary and durable finishes** have been selected both for lasting application and patient appeal.

We've reimagined better...and beyond



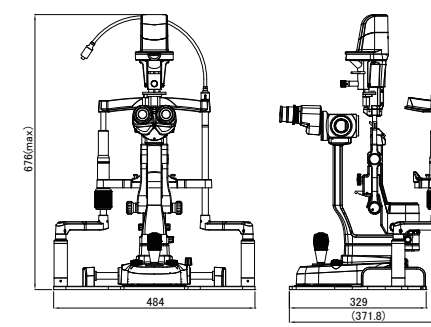
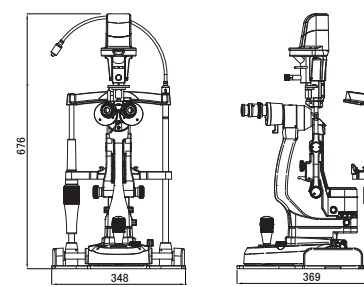
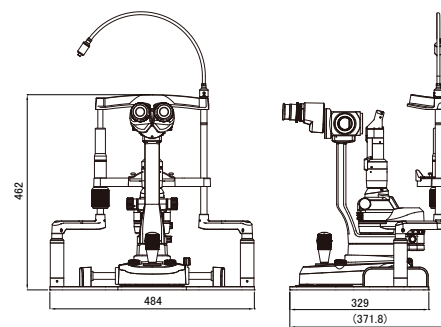
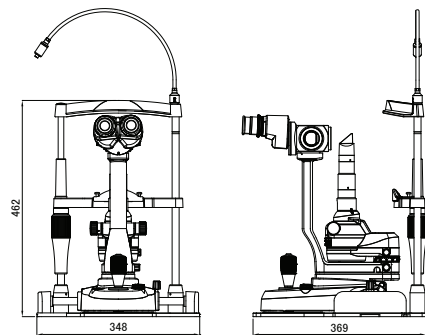
Y172500 BR-ULTRA M TechSpecs

ULTRAM
SLIT LAMP SERIES

TECHNOLOGY SPECIFICATIONS

FEATURES

	ULTRA M2	ULTRA M4	ULTRA M3	ULTRA M5
Type Binocular Stereomicroscope	Parallel (Galilean)	Parallel (Galilean)	Convergent (Greenough)	Parallel (Galilean)
Light Source	LED	LED	LED	LED
Light Source Configuration	Compact/horizontal	Compact/horizontal	Tower with Tilt	Tower with Tilt
Background Illumination	Not standard (option only)	Yes	Not standard	Yes
Light Filters	Blue, Red-free, Blue LED Correction	Blue, Red-free, Blue LED Correction	Blue, Red-free, Blue LED Correction, Yellow	Blue, Red-free, Blue LED Correction, Yellow
Slit Width	0-14mm continuous variable	0-14mm continuous variable	0-14mm continuous variable	0-14mm continuous variable
Aperture Diaphragm Diameter (Ø)	14, 8, 5, 3, 0.3mm	14, 8, 5, 3, 0.3mm	14, 10, 5, 3, 2, 1, 0.2mm	14, 10, 5, 3, 2, 1, 0.2mm
Total # Power Magnifications	3 (10x, 16x, 25x)	5 (6.3x, 10x, 16x, 25x, 40x)	2 (10x, 16x) [3 (25x with 16x eyepieces)]	5 (6.3x, 10x, 16x, 25x, 40x)
Magnification Change	3 Position Rotating Drum	5 Position Rotating Drum	2-position switch revolving objective	5 Position Rotating Drum
Eye Pieces	16x wide-field, high-eyepoint	16x wide-field, high-eyepoint	10x, (16x optional)	16x wide-field, high-eyepoint
Real Field of View (Ø)	23.3mm, 14mm, 8.8mm	35.9mm, 23.3mm, 14mm, 8.8mm, 5.5mm	18, 11.25 (with 10x eyepieces) 15, 9.3mm (with 16x eyepieces)	35.9mm, 23.3mm, 14mm, 8.8mm, 5.5mm
Interpupillary Adjustment	52-82mm	52-82mm	52-82mm	52-82mm
Diopter Adjustment Range	(+/-) 7 diopters	(+/-) 7 diopters	(+/-) 8 diopters w 10x eyepieces (+/-) 10 diopters w 16x eyepieces	(+/-) 7 diopters
Horizontal Coarse Movement	105mm	105mm	105mm	105mm
Horizontal Fine Movement	15mm	15mm	15mm	15mm
Vertical Movement	30mm	30mm	30mm	30mm
Fixation Light Source	Red LED on Flexible Arm	Red LED on Flexible Arm	Red LED on Flexible Arm	Red LED on Flexible Arm
Large Patient Chin Rest	Not standard (option only)	Yes	Not standard (option only)	Yes
Chinrest Elevation	85mm	95mm	95mm	85mm
Power Supply	AC100V-240V (+/-10%)	AC100V-240V (+/-10%)	AC100V-240V (+/-10%)	AC100V-240V (+/-10%)
Power Consumption	DC5V 2A	DC5V 2A	DC5V 2A	DC5V 2A
Weight	11Kg	11.5Kg	12.5Kg	12.5Kg
Dimension Illustrations	462mm h x 348mm w (front) 462mm h x 369mm w (side)	462mm h x 484mm w (front) 462mm h x 329mm w (side)	676mm h x 348mm w (front) 676mm h x 369mm w (side) [420mm to optics]	676mm h x 484mm w (front) 676mm h x 329mm w (side) [420mm to optics]



ULTRA M2



ULTRA M4



ULTRA M3



ULTRA M5