

# NON-MYDRIATIC FUNDUS CAMERA TFC-1000

FULLY AUTOMATED FUNDUS CAMERA

## DELIGHT IN SIGHT

Easy to use.  
Touch screen  
operated.



- Automatic eye tracking
- Auto focus & auto measurement
- Fundus image within 15 seconds
- Multi imaging display
- Field of view 45° x 45°
- 12M pixel sensor
- 9 fixation points
- Anterior segment imaging

 **TOMEY**  
TECHNOLOGY AND VISION

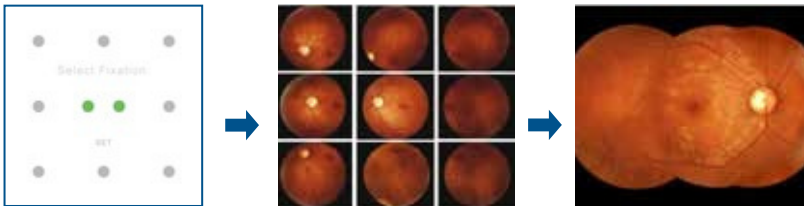
# TOMEY FULLY AUTOMATED FUNDUS CAMERA TFC-1000



## QUALITY IN DETAIL

The **TFC-1000** fully automatically generates a fundus image within 15 seconds using eye tracking and auto focus as well as auto measurement. The “KISS principle” (keep it short and simple) had the highest priority in the software and workflow design. This makes the operation of the **TFC-1000** extremely easy to handle. The user-friendly interface is very intuitive and provides the results in a very short time.

### MULTI IMAGING DISPLAY



With 9 fixation points we enlarge the field of vision (FOV) of the retinal image. For multi imaging you have the possibility to select 3 of 9 points. The FOV will extend from 45° to 80°.

### SPECIFICATIONS

#### FEATURES AND FUNCTIONS

<b>Type</b>	Digital non-mydratric retina camera
<b>Type of photography</b>	Colour, digital red-free, anterior eye image
<b>Light source</b>	Observation light source: Infrared LED Flash light source: White LED
<b>Auto exposure</b>	YES
<b>Auto focusing</b>	YES
<b>Image</b>	12 MP
<b>Image resolution</b>	4096 x 3072
<b>Alignment</b>	Fully automatic 3D tracking
<b>Chinrest</b>	Motorised

#### MEASUREMENT

<b>Field of view</b>	45° x 45° up to 80°
<b>Minimum pupil size</b>	3.8 mm
<b>Working distance</b>	25 mm
<b>Focus adjustment range</b>	-15D to +10D (without compensation lens) -35D to +30D (with compensation lens)
<b>Flash intensity</b>	10 levels, can be set manually
<b>Eye fixation</b>	Internal ten points

#### NETWORKING CAPABILITY

<b>Interface</b>	USB2.0, Ethernet, HDMI, WiFi
<b>Image format</b>	JPEG, PNG, Dicom (optional)

#### OPERATING ENVIRONMENT

<b>Temperature</b>	10°C to 35°C
<b>Humidity</b>	30% to 90% (no condensation)

#### DIMENSIONS & ELECTRICAL REQUIREMENTS

<b>Dimension WDH</b>	282 x 485 x 492 mm
<b>Weight</b>	17 kg
<b>Voltage</b>	AC100V to 240V
<b>Frequency</b>	50/60Hz
<b>Power consumption</b>	< 150W



Colour



Digital red free



RGB



Zoom to see tiny details



Cup-to-disc



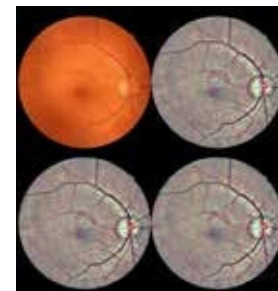
Corneal image

### TFC-1000 VIEWER SOFTWARE



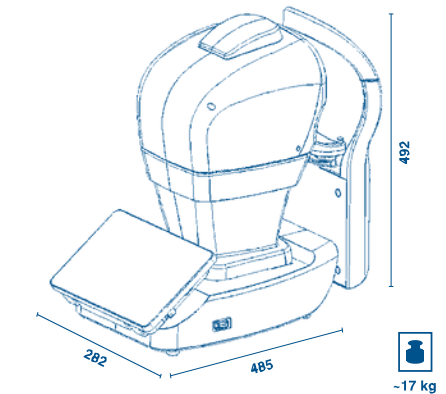
With the viewer software you can analyse the diagnostics of the images.

### EXTERNAL ANALYSIS (OPTIONAL)



Fundus images can be send to external diagnostic supplier for screening. The images can also be transferred to our Perimeter for target Perimetry.

### DIMENSIONS



**MERCOFrames**  
OPTICAL CORP

✉ [sales@mercoframes.net](mailto:sales@mercoframes.net)  
 🌐 [www.mercoframes.com](http://www.mercoframes.com)  
 📍 5555 NW 74 AVE.  
 MIAMI, FL. 33166  
 📞 P: 305-882-0120  
 📞 F: 305-882-0140

