

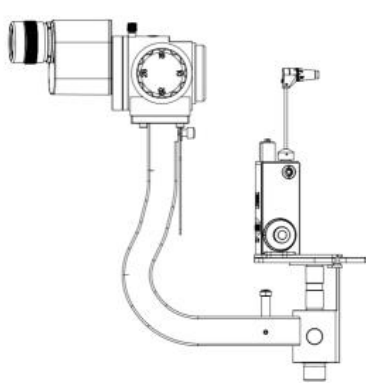
Häns Heiss

Applanation Tonometer
HAT-003D

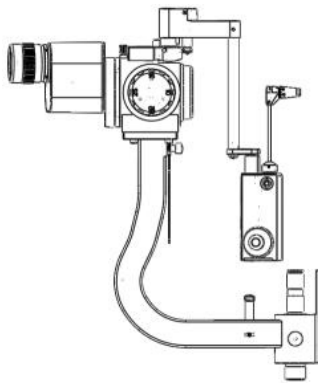


Brochure Specifications

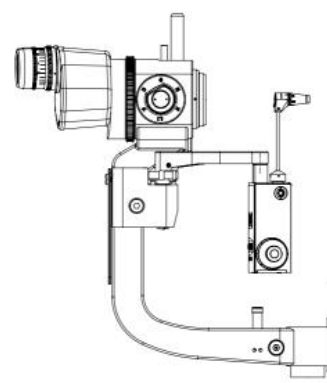
v.0.1 - 2020/FEB



T Type



R Type



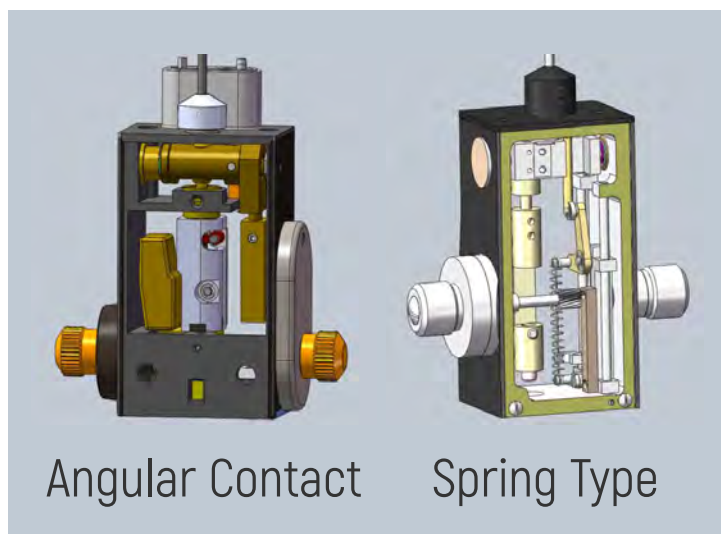
Q Type

Applanation tonometer

Type-T | Type-R | Type-Q

- Kpa, mmHg Measurement switching
- Measurement data locking

- Auto sleep
- Overlimit alarm



Angular Contact

Spring Type



High Accurate Design

Angle contact type eccentric gravity balance design, one time higher accuracy than the spring design.

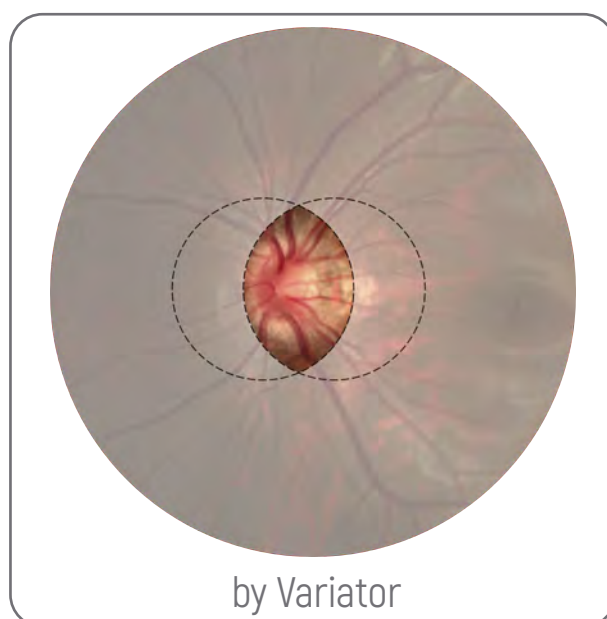
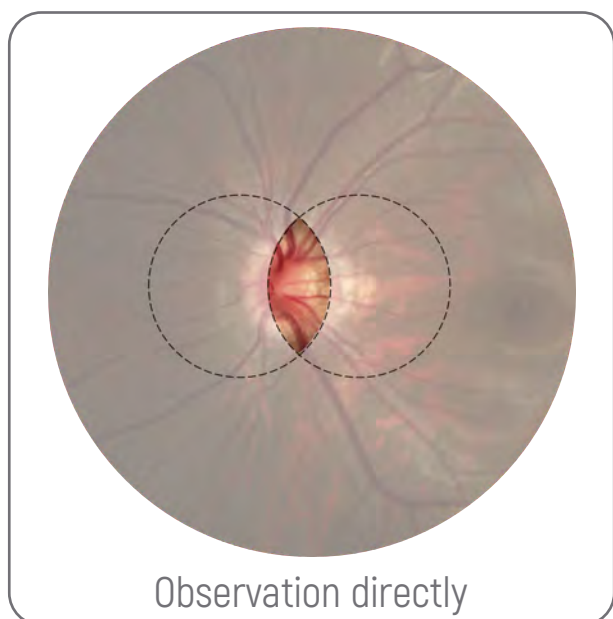
Two Mode Reading

Digital display + mechanical reading can be freely chosen according to user habits.

Stereo Variator (Optional)



- For Fundus Observation
- Binocular Observation Angle from 13° to 4.5°
- Twice Fundus Observation Field Increased
- Better Stereoscopic Feeling
- For LS-7/7S/7E

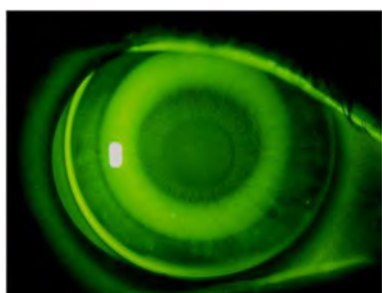


Yellow Filter (Optional)

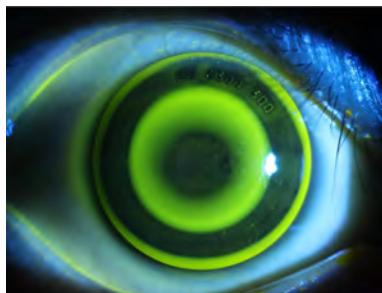
Special Coating Technology, Excellent Dyeing Effect

I. Mode for LS-7/7S/7E

II. Mode for LS-3/4/5/6



Use other Filter



Use Yellow Filter



II. Mode

I. Mode

Häns Heiss



Applanation Tonometer HAT-003D

v.0.1 - 2020/FEB

Official Distributor



MERCOFRAMES OPTICAL CORP.

📍 5555 NW 74 AVE. Miami, FL 33166

📘 /mercoframes

✉ sales@mercoframes.net

🌐 www.mercoframes.com

☎ 305-882-0120 Whatsapp

🛒 www.mercoframesusa.com