

NCT-200

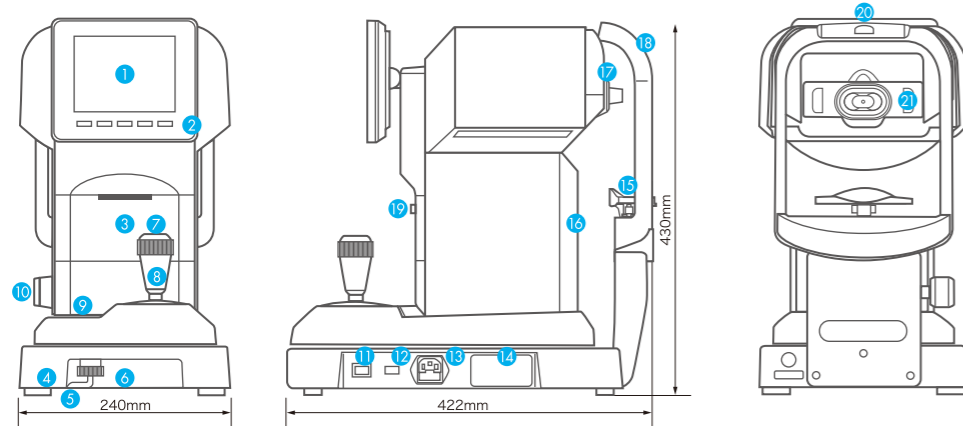
SPECIFICATIONS

Intraocular pressure (IOP) measurement range	1mmHg~60mmHg/0.1kPa~8.0kPa
Measurement resolution	1mmHg/0.1kPa
Working distance	11mm
Stimulus	Fixation light: green (blinking/non-blinking options)
Start-up method	Manual, automatic
IOP correction function	With a corneal thickness input function
Built-in monitor body	5.7 inch color LCD monitor
Printer	thermal line printer (paper width 58mm)
Power voltage/frequency	AC100V-240V, 50/60Hz
Power consumption	60VA
Power saving function	OFF, 3, 5, 10min. (selectable)
Data Output	RS-232C interface
Size	(W) 240mm (D) 422mm (H) 430mm
Movement range of the measurement unit	Forward/backward ±22mm Horizontal direction ±43mm Vertical direction ±17mm
Movement range of the chin rest	vertical ±30mm
Movement range of LCD	+30°swivel (left only) +40°tilt
Weight	approx. 13kg

NCT-200 Standard Accessories

- Operation Manual
- Power cord
- Printer paper
- Fuse
- Dust cover
- Measuring nozzle cap
- Paper covers for chin rest
- Chin rest cover pin

External diagram (to scale) and Part Identification



- | | | |
|-------------------------------|----------------------------------|------------------------------------|
| 1 LCD monitor | 8 Joystick | 15 Chin rest |
| 2 Touch sensor panel | 9 Contact prevention lock button | 16 Body cover |
| 3 Printer cover | 10 Chin rest knob | 17 Face cover |
| 4 Base | 11 Power switch | 18 Head rest |
| 5 Rubber feet | 12 RS-232C connector | 19 Printer cover open/close button |
| 6 Main unit sliding lock knob | 13 Power plug connector | 20 Rubber head rest |
| 7 Measurement start switch | 14 Rating plate | 21 Measuring nozzle |

Design and specifications are subject to change without notice.



MERCOFRAMES OPTICAL CORP

5555 Nw 74 Ave. Miami, FL 33166. 305-882-0120

ale@mercoframes.net www.mercoframes.net



Introducing our Smart & Silent Non-contact Tonometer!

Non-Contact TONOMETER

NCT-200

New Non-contact Tonometer!

Softer and quieter... A high-quality, smart & silent model

Smart, Silent & Comfort Design

Softer and Quieter... Introducing a patient-friendly non-contact tonometer that keeps patient stress to a minimum during measurement. A brand-new design from the measurement engine to the optical unit. Through the pursuit of ergonomics and exquisite detail with optimal material selection, we have achieved a simple and compact body design with uniform ACCUREF* that offers superb operability and solid reliability.

(* ACCUREF K-900/R-800 : Auto Ref-Keratometer/Auto Refractometer)



New Generation DESIGN & STYLE

Exquisite detail and quality. Sophisticated shape combined with soft curves and the attractive color with high quality two-tone metallic and pearlescent paintwork which complements any interior and appeals atmosphere of trust to the customer.

Improved forehead and chin rests



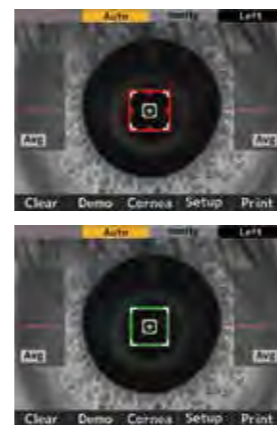
Side flaps mounted to each side of the measurement window enabling to block out the light realizes high accuracy. The modified shapes of the forehead rest and the chin rest help to minimize stress of the patient.

Newly-developed smart puffing control system (S.P.C)

The S.P.C system, which includes our newly developed algorithm measurement engine, makes it possible to adjust air pressure instantly and precisely to match the patient's intraocular pressure. It also keeps noise to a minimum and ensures soft air pressure.



Newly designed smart alignment & auto shot function



Turns green when aligned, triggering automatic measurement.

Smooth and accurate alignment function. Once aligned, air pulse and measurement commence automatically. By keeping measurement time to a minimum, patient stress is reduced.

Reliability Warning Display

The warning mechanism displays an asterisk on the screen when measurement reliability is low.

Message Area	
2012 / 1 / 13 9 31	
Date & Time	
R	L
11	12
12	10
11	10
Average value (displayed regardless of how many times measurements have been taken)	
11.3	10.0
SHIN-NIPPON NCT-200	

Right Eye Left Eye

- * display on the left "Is the measurement point properly aligned?"
- * display on the right "Is the patient's eye opened wide?"

Simple & Easy Operation

A 5.7-inch flat monitor with excellent visibility swivels to the left (30°) and tilts vertically (40°) to support the patient during measurement. Operating monitor newly designed specifically for NCT-200. Screen interface with user-friendly color plan/layout ensures easy intuitive operation.

Feather touch sensor button

The feather touch sensor button, designed for compatibility and interface with the screen, make our non-contact tonometer easy and reliable to operate.



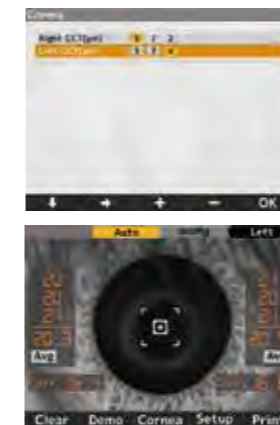
Left swivel 30° Vertical tilt 40°



Expanded vertical tilt range

The adjustment range of the vertical tilt angle has been expanded to 40°. The unit can comfortably be operated from both seated and standing positions.

Convenient IOP correction function



The IOP value is corrected automatically by simply inputting the central corneal thickness. This can be done easily before or after measurement.

Three functions for superior safety



When the nozzle is too close to the patient's eye, an alarm is triggered and the words "Too Close" appear on the monitor. In addition, the safety stopper function prevents contact with the patient's eye.



New Joystick



The completely redesigned joystick with the shape and top button allows the operator to control the unit with more precise and instinctive movement.

