

# REFRACTION UNIT TRU-1000

## MODULAR REFRACTION UNIT

# DELIGHT IN SIGHT

Space-saving combination  
of function and style.



- Space-saving
- Easy to install (right or left)
- Timeless and modern design
- Preconfigured for Tomy equipment
- Two optional chairs
- Additional nice features

 **TOMMY**  
TECHNOLOGY AND VISION

# THE TOMHEY REFRACTION UNIT TRU-1000



## QUALITY IN DETAIL

If space is an issue for you, the Tomey **TRU-1000** refraction unit is the perfect solution – for both – Ophthalmologist and Optician. Although the **TRU-1000** is very space-saving it offers highest flexibility. Thanks to the modular construction system you can arrange the refraction unit for your own requirements.



The rotatable control panel allows the user comfortable operation of the whole unit and the additional devices.



You can choose between two different chairs – either the standard chair or the reclinable chair with arm and footrest.

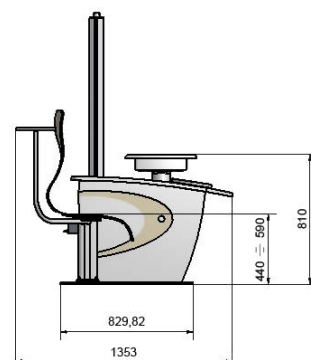
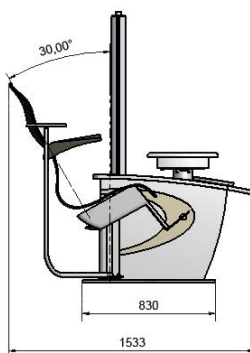
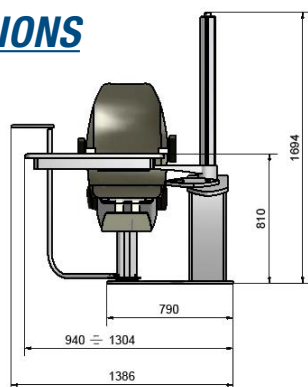
## SPECIFICATIONS

<b>Table</b>	rotating 90°, laterally movable, for 2 units
<b>Table height</b>	81 cm
<b>Seat height</b>	44 cm (ER-1000 / SC-1000)
<b>Seat elevation</b>	44 – 59 cm (ER-1000 / SC-1000)
<b>Seat reclination</b>	30° (ER-1000)
<b>Nominal lifting capacity</b>	max 120 kg
<b>Projector column height</b>	170 cm
<b>Connectors</b>	2 x power outlet (230V), 1 x RS-232, 1 x 5-pin (6V / 12V), 1 x LAN, 1 x USB 2.0
<b>Reading light</b>	white LED 3.5 V
<b>Internal light</b>	white LED 12V
<b>Power consumption</b>	300 VA
<b>Power supply</b>	230 V
<b>Total weight (without devices)</b>	with ER-1000 approx. 215 kg with SC-1000 approx. 190 kg

### Optionals:

Phoropter arm, electrical standard chair, electrical reclinable chair, trial lens cabinet 61 x 61 x 79 cm (WxDxH), skiascope / ophthalmoscope holder

## DIMENSIONS



2011/05 - subject to change without notice



# MERCOFRAMES OPTICAL CORP

5555 Nw 74 Ave. Miami, FL 33166

Tel. 305-882-0120

ale@mercoframes.com