

# Ophthalmic Surgical Microscope HHSM-6621



**Häns Heiss**

See Everything in Details

# See Everything in Details

## Cutting-edge Optic Design

High quality optical lens with Apochromatic(APO) design and multi-layer optical coating brings high resolution and deep depth of field, enables high comfort during the surgery.

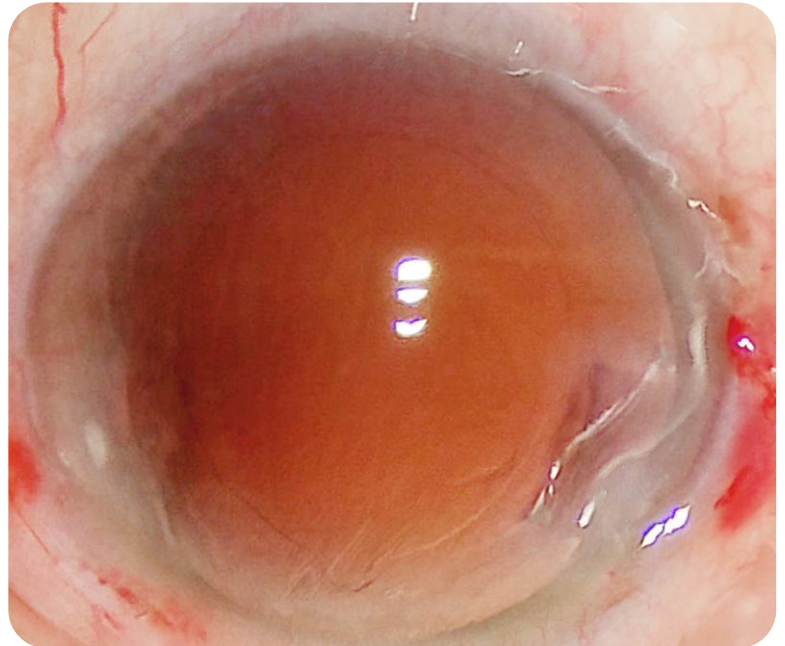


## Motorized ZOOM System

The HHSM6621 adopts motorized ZOOM system to reduce discomfort when the field of view changes.

## Independent Assistant Microscope

HHSM6621's assistant microscope adopts independent optical path which is independently from surgeon's microscope, it has 5 steps magnification changer.



## Bright and Stable Red Reflex

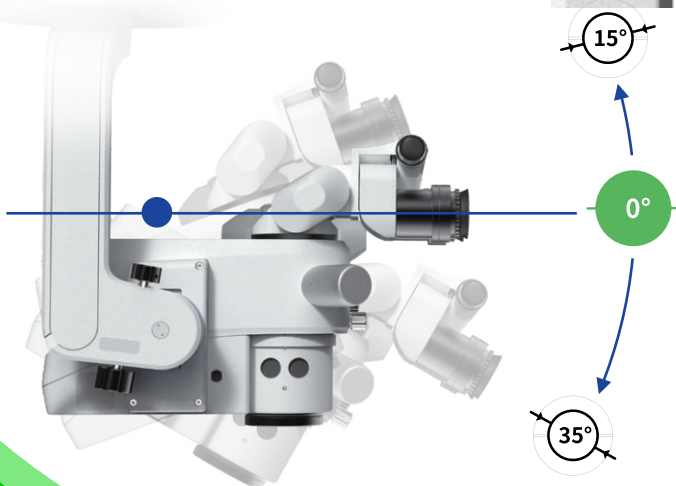
Red reflex by coaxial illumination makes surgeons can see fine structure under weak light, easily perform continuous circular capsulorhexis(CCC)and aspirate residual lens cortex.



## Key Factors at a Glance

Status display

Full touch screen displays the current status and parameter settings of the HHSM 6621.



## Adjustable Balance System

The inclination of microscope head can be easily adjusted upwards and downwards while keeping balance. The inclination degree ranged from 15° upwards to 35° downwards will be shown on the "Status Display".

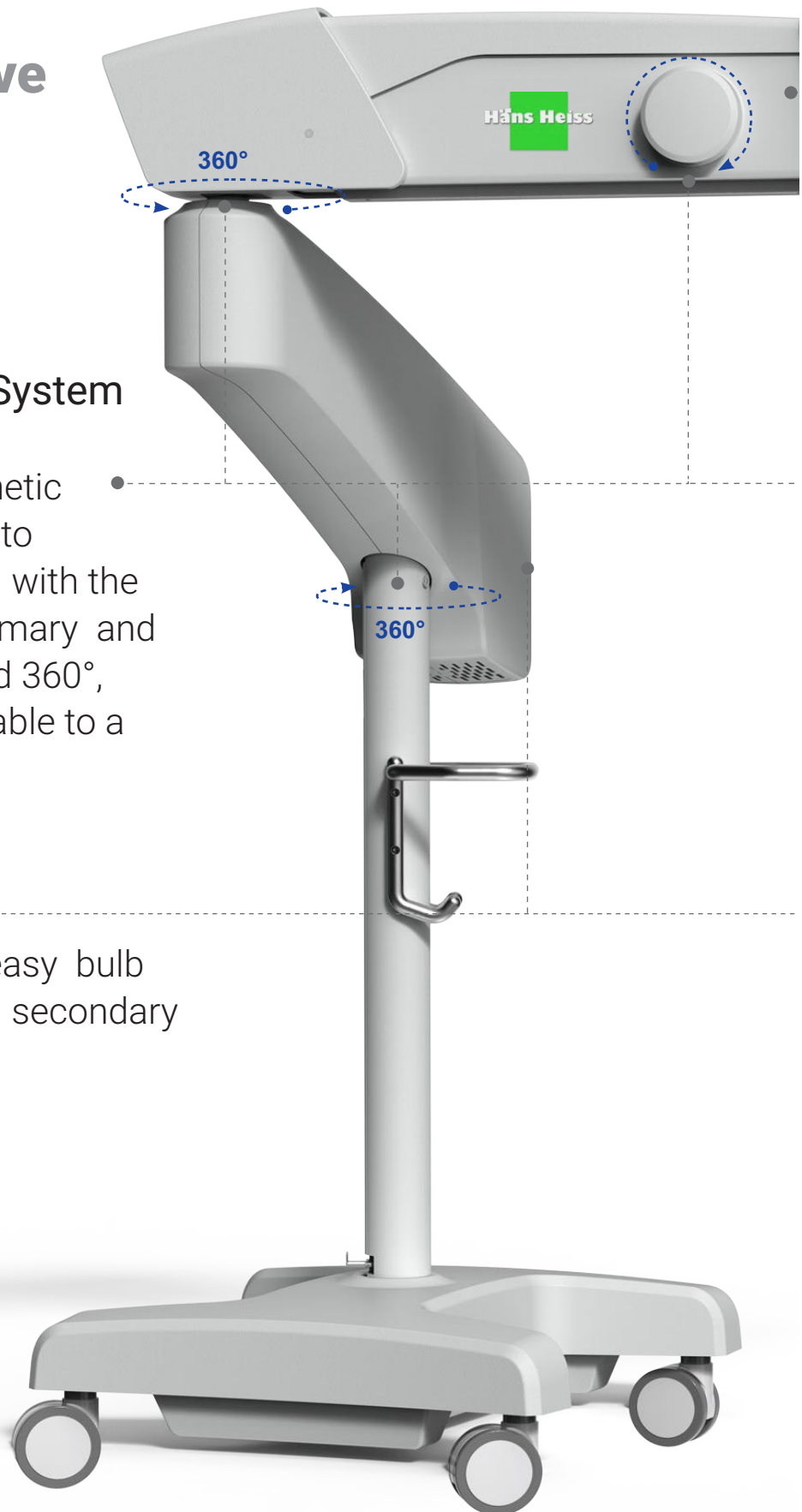
## More Comprehensive More Details

### Electromagnetic Locking System

The HHSM6621's electromagnetic locking system makes it easy to position it at the desired angle with the lightest of touches, and the primary and secondary arms can be rotated 360°, making the HHSM6621 adaptable to a wide range of applications.

### Security Guarantee

Built-in backup power supply, easy bulb exchange and security lock on secondary arm ensure safe surgery.





## ● Auto Power-off Protection

The HHSM-6621 will automatically enters the powered-off state when the secondary arm is raised to a certain height. It will greatly facilitate surgeons operation and extend the service life of lamp source.

## ● X-Y-Z Axis Fine Adjustment

Accurate lateral and longitudinal X-Y-Z axis movements for precise positioning during surgeries.

## ● 180°

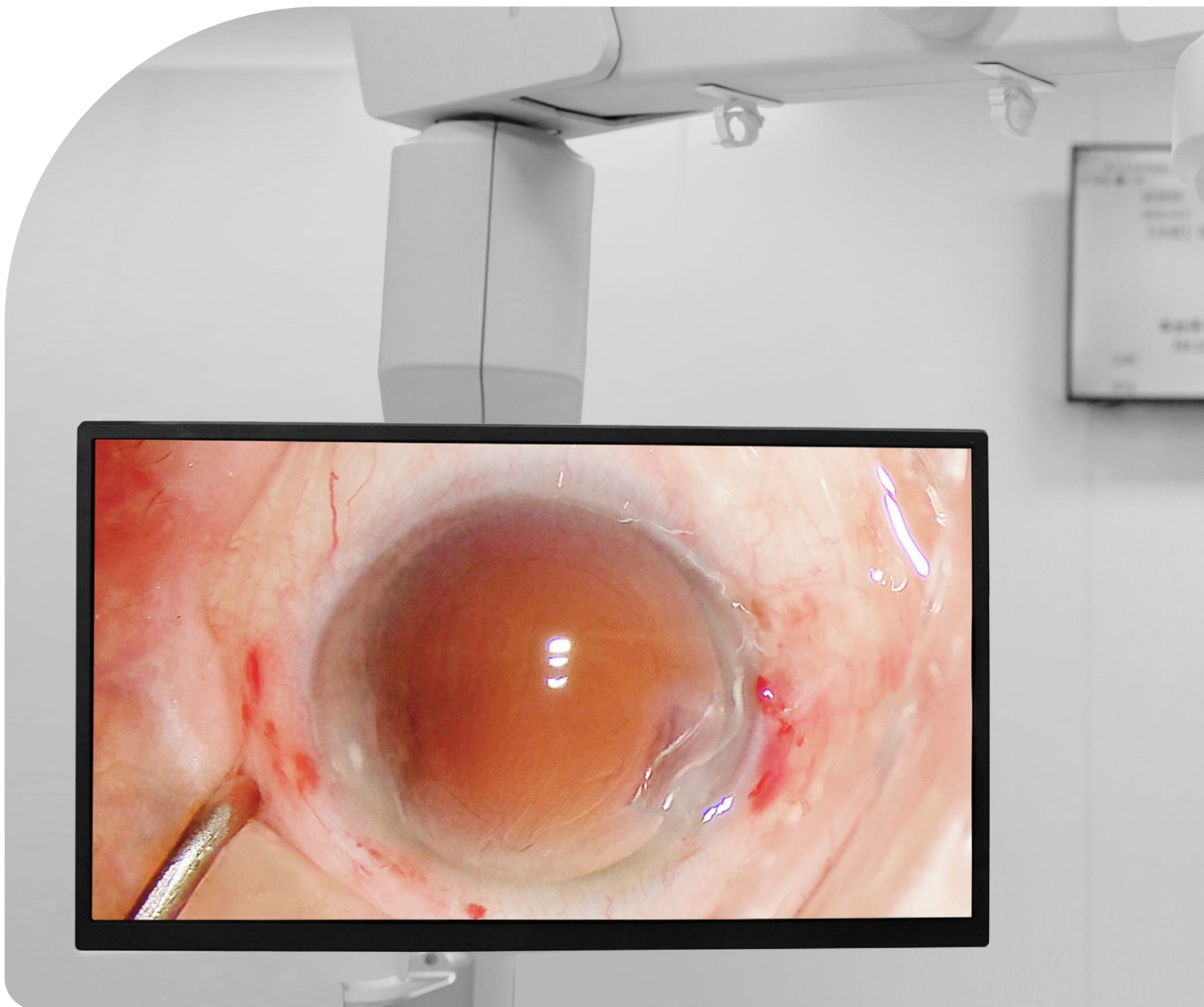
The binocular tubes of surgeons microscope and assistants microscope can be smoothly adjusted from 0° to 180°.



## ● Foot Control Panel

The foot control panel is capable of controlling 14 functions of the HHSM-6621. Surgeons can easily adjust the brightness and zoom magnification, switch the filters and backup bulb etc. Without

- |   |              |   |               |
|---|--------------|---|---------------|
| 1 | Light on/off | 2 | Switch filter |
| 3 | Light +      | 4 | Light -       |
| 5 | Reset XY     | 6 | Backup LED    |



### **4K High Resolution Video**

Optional 4K digital module with low noise, high sensitivity and good image quality. It can be used for surgery teaching, academic research, patient case sharing which helps bring more harmonious communication between doctors and patients.

### **Enhanced Depth of Field**

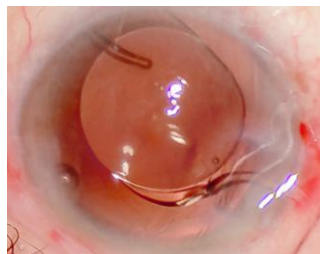
Adjustable aperture can meet different needs of brightness and depth of field.



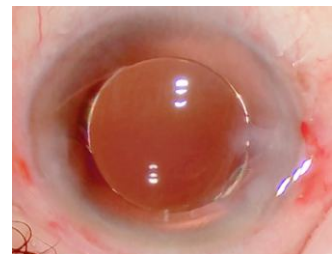
Anterior Continuous Curvilinear Capsulorhexis (ACCC)



Aspirate Lens Nucleus and Residual Cortex



IOL Implantation

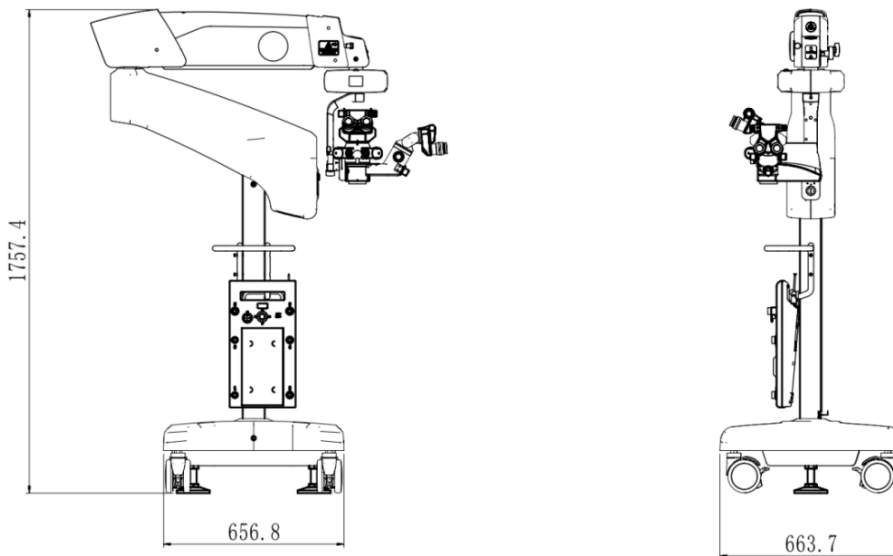


IOL Centered

**Clinical Applications** Ocular anterior segment surgeries  
Cataract phacoemulsification combined with intraocular lens implantation,  
glaucoma surgery, ICL implantation, pterygium surgery, ocular trauma  
surgery, orbital plastic surgery, etc.

# Specifications

Surgical Microscope	<p>Motorized zoom system with apochromatic lens, zoom ratio 1 :</p> <p>6 Magnification factor <math>\gamma = 0.4</math> to 2.4</p> <p>Focusing: electric, focus range: 50 mm</p> <p>Objective lens: <math>f = 200</math> mm</p> <p>Binocular tube: 0 - 180°, tiltable tube <math>f = 170</math> mm</p> <p>Wide-angle eyepiece 12.5 x</p> <p>Assistant microscope manual magnification change: 5 steps</p>
Illumination	<p>Coaxial Illumination: Red reflex and full-field illumination LED illumination</p> <p>One-touch automatic bulb exchange</p> <p>Blue blocking filter</p> <p>25% gray filter</p> <p>Red-free filter</p> <p>Retinal protection filter</p> <p>Aperture diameter: 50 mm</p>
X-Y Coupling	<p>Movement range: max. 50 mm x 50 mm</p> <p>Automatic centering by pressing the reset button</p>
Suspension System	<p>Floor stand</p> <p>Maximum load capacity</p> <p>15 kg (complete equipment, including accessories)</p> <p>Electromagnetic locking</p> <p>Maximum extension radius of spring arm 1270 mm, 360° rotation</p> <p>Vertical moving range of the spring arm: 200 mm up and 300 mm</p> <p>Down Universal casters</p>
Foot Control Panel	<p>14 functions</p>
Weights and Measurements	<p>Microscope Weight: 200 kg</p> <p>Package Weight: 307 kg</p> <p>Microscope Dimension: 1300 mm x 664 mm x 1760 mm ( L/W/H )</p> <p>Package Dimension: 1035 mm x 835 mm x 2005 mm ( L/W/H )</p>



**MERCOFRAMES**  
OPTICAL CORP



\*Subject to change in design or specification without advance notification

 [mercoframes.com](http://mercoframes.com)