

S4OPTIK



EXAMINATION CHAIR

Model 1800-CH

Durable, comfortable, flexible.

Maintain a high standard of patient care with the

S4OPTIK 1800-CH Examination Chair.



Flexibility and comfort

- Ensure optimal comfort with the variable recline backrest
- Recline or incline at any position down to 170°
- Positive-assist release and locking system

S4OPTIK
EXAMINATION
CHAIR
Model 1800-CH



Smooth and silent

- Enjoy smooth, virtually silent lifting with the Swiss-made KleanTech® lift system
- Holds up to 500lbs (227kg)
- Seat raises to 32.05" (81.4cm) and lowers to 20.25" (51.4cm)





Maximum patient comfort

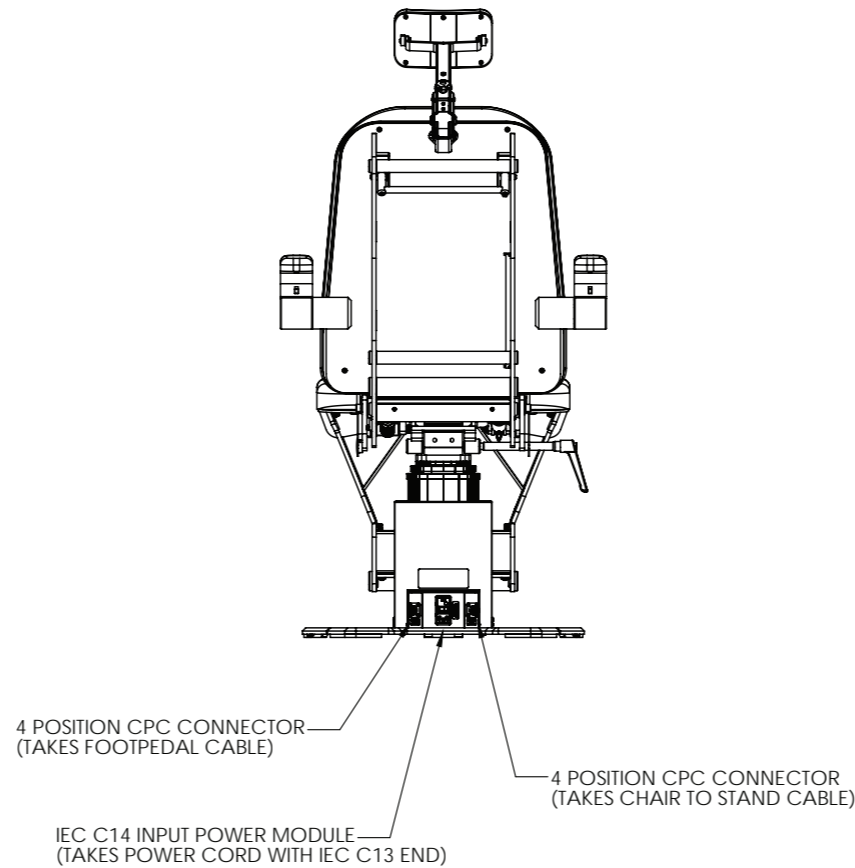
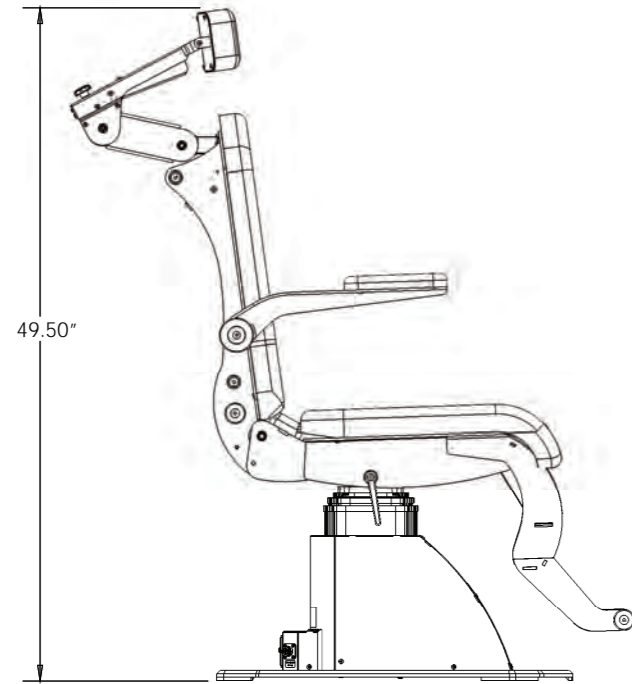
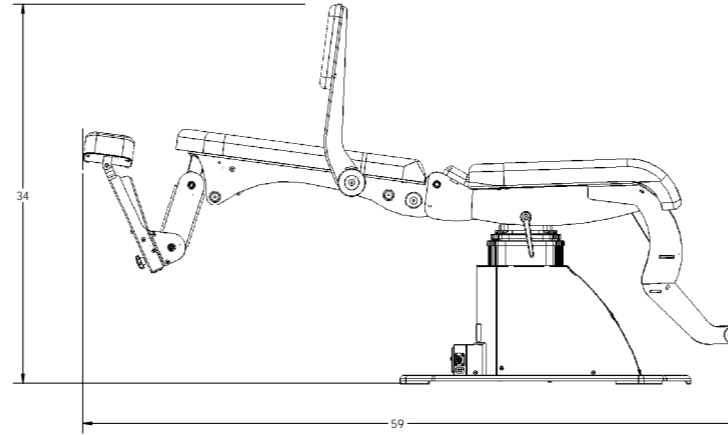
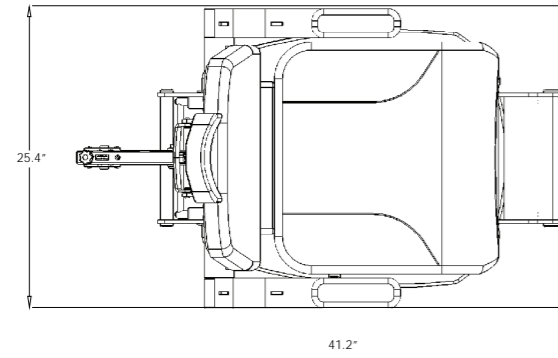
- Upholstered headrest with adjustable height for optimal patient comfort





Support and flexibility

- Deliver flexible and comfortable patient care with upholstered, retractable armrests
- Count on solid construction



S4OPTIK 1800-CH Examination Chair Specs

Shipping Weight: **260lbs**

Gross Weight: **225lbs**

Baseplate: **22"x26"**

Lift Capacity: **560lbs**

Ground to Seat: **20.25"**

Lift Column Stroke: **11.8"**

Rotation: **360°**

Tilt Mechanism: **Back Recline**

Input Voltage: **100-240 VAC, 50/60Hz**

Fuses: **8A Main**

About S4OPTIK

Modern Design, Quality Materials, Exceptional Value.

Understanding the unique needs of eye care practices all over the world, S4OPTIK delivers extraordinary value in high quality diagnostic equipment and accessories. With modern designs to enhance your office environment, competitive prices to help you manage your costs, and an industry leading warranty, S4OPTIK eye care instruments help you deliver the very best in patient care. Contact us today for pricing.



MERCOFrames OPTICAL CORP.

5555 NW 74 AVE. Miami, FL 33166 /mercoframes

sales@mercoframes.net www.mercoframes.com

305-882-0120 www.mercoframesusa.com