

S4OPTIK

A detailed view of the S4OPTIK Instrument Stand Model I 600-ST. The stand is a tall, light grey column with a black base. It features a central vertical shaft with several adjustable arms. One arm is extended horizontally, holding a pair of eyeglasses. Another arm is positioned lower, holding a pair of dental forceps. The stand has a control panel on the front with several buttons and a small display. The background is white, and the overall aesthetic is clean and professional.

INSTRUMENT STAND

Model I 600-ST

Sleek, functional, flexible.

S4OPTIK I 600-ST Instrument Stand.

stand features

Instrument Console

- Accommodate all NiCad powered hand-held instruments with three rechargeable wells
- Deliver efficient patient care with logically positioned, durable membrane switches for power mains, chair up/down and auto-return
- Overhead lamp with rheostat



stand features

Slit Lamp Arm

Add a superior achievement in engineering to your practice with this fully counterbalanced arm featuring full function and range

- Convenient lock/release mechanism at your fingertips
- Easily accommodate all patients, including those in wheelchairs, with 13.5" (34.2cm) range of travel and counter balance up to 60lbs (27.2kg)
- Choose from right-handed or left-handed up/down switch configuration with reversible arm positioning
- Conveniently located chair elevation controls



stand features

Upper Arm (Refractor)

- Support natural and comfortable hand movements with the lock/release lever
- Engage a single lock mechanism in all three dimensions (forward/backward/vertical)
- Enjoy precise and effortless positioning with the 12.5" (31.75cm) vertical range and counter balance up to 20lbs (9.1kg)



stand features

Halogen
Overhead Light

- Combine form and function with the modern design of this long-lasting halogen lamp
- Use bright, direct light for general lighting or minor procedures
- Rely on durable metal lamp arm construction for stable, one-handed movements
- Safe, low-voltage (12V) overhead lamp





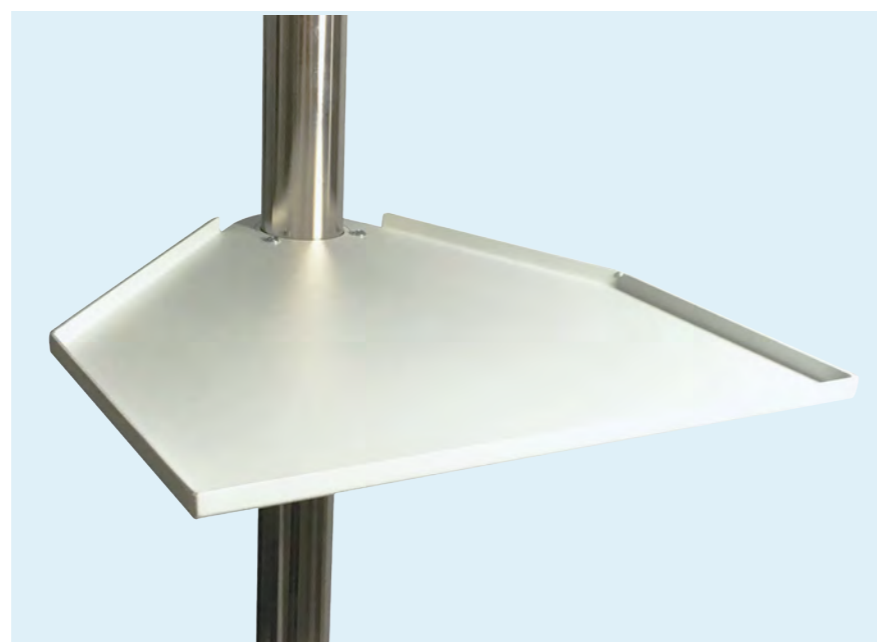
with the same ergonomically designed lever mechanism as the refractor arm, the optional third arm has a vertical range of 12.5" (31.75cm) and is counterbalanced to accommodate instruments up to 30lbs (13.6kg).



console options

Extra Features

1. BIO Hanger
2. Storage Tray
3. Optional 3rd Arm
4. Keratometer Tray



S4OPTIK Instrument Stand Model 1600-ST Specs

Base: **22"x23.25"**

Height Console: **35"**

Height Pole: **68"**

SLIT LAMP ARM

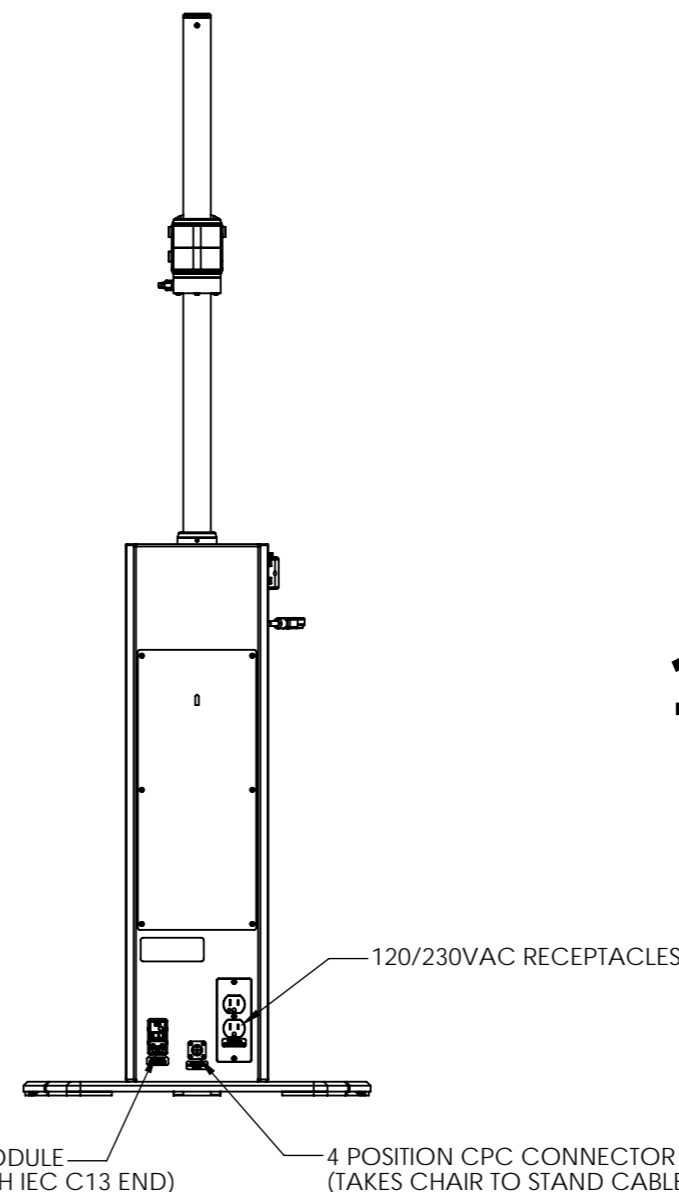
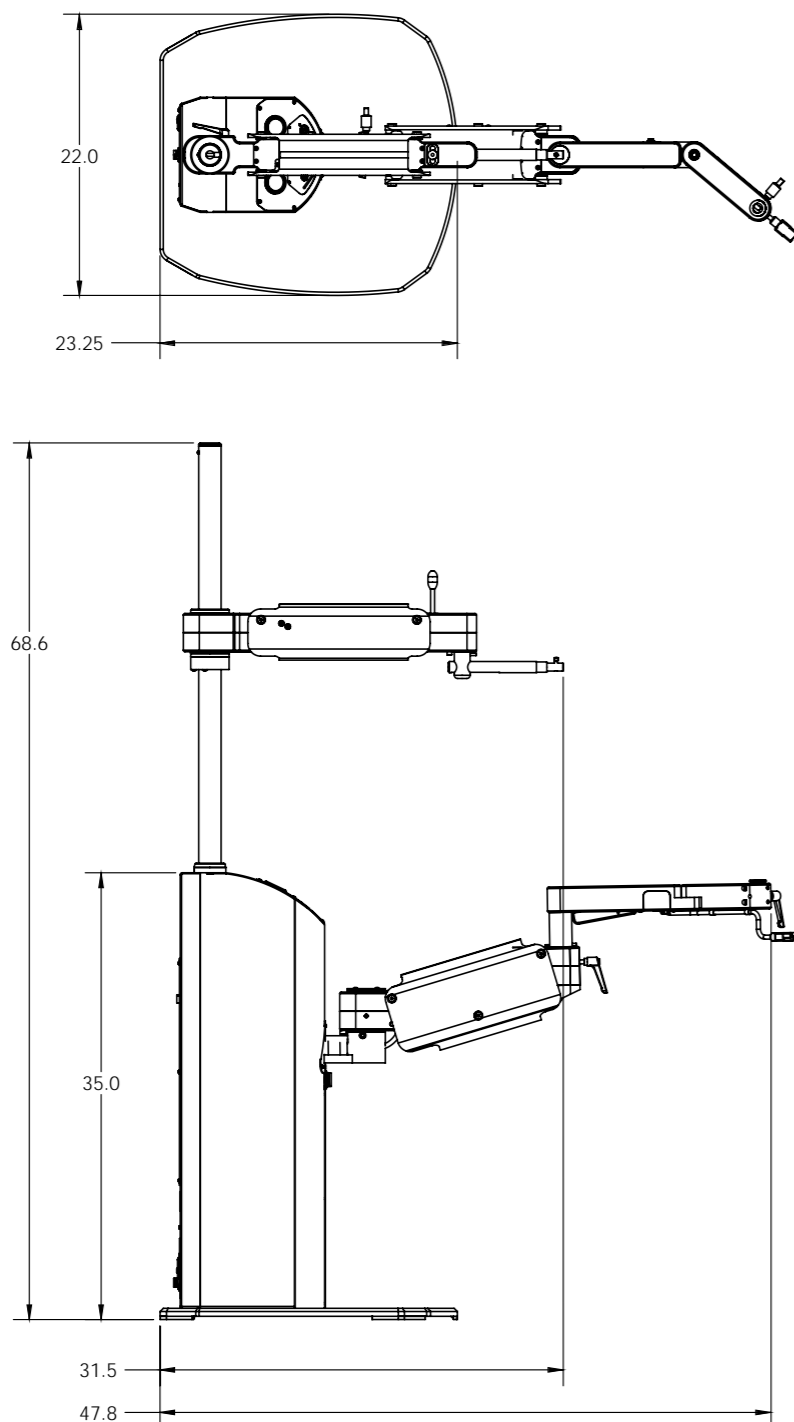
Capacity: up to **60lbs (27.2kg)**

Range: **13.5" (34.2cm)**

UPPER ARM (REFRACTOR)

Capacity: up to **20lbs (9.1kg)**

Range: **12.5" (31.75cm)**



About S4OPTIK

Modern Design, Quality Materials, Exceptional Value.

Understanding the unique needs of eye care practices all over the world, S4OPTIK delivers extraordinary value in high quality diagnostic equipment and accessories. With modern designs to enhance your office environment, competitive prices to help you manage your costs, and an industry leading warranty, S4OPTIK eye care instruments help you deliver the very best in patient care. Contact us today for pricing.



MERCOFRAMES OPTICAL CORP.

5555 NW 74 AVE. Miami, FL 33166 /mercoframes
 sales@mercoframes.net www.mercoframes.com
 305-882-0120 Whatsapp www.mercoframesusa.com