

argo

www.argoequipment.com

Chair & Stand (Unit)

AOU-7028



Official Distributor



MERCOFRAMES
OPTICAL CORP

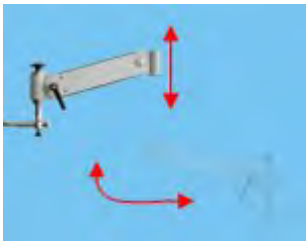
+1 305-882-0120

5555 NW 74 Av.
Miami, FL 33166

sales@mercoframes.net
www.mercoframes.com

FEATURES

- Facilitating equipment including refractometer, slit lamp and projector, improving the convenience, simplicity and accuracy of the facility operation.
- Manual lifting arm able to rotate up and down at 90°.
- Considering the personal factors represented by the angle and height of the user.
- Operation table able to rotate forward at 90°, simplifying the switch between equipment.



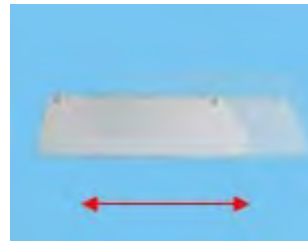
Arm

Can move up or down or rotate around



Electric Lift Chair

Ultra-luxury European - style



Sliding Table

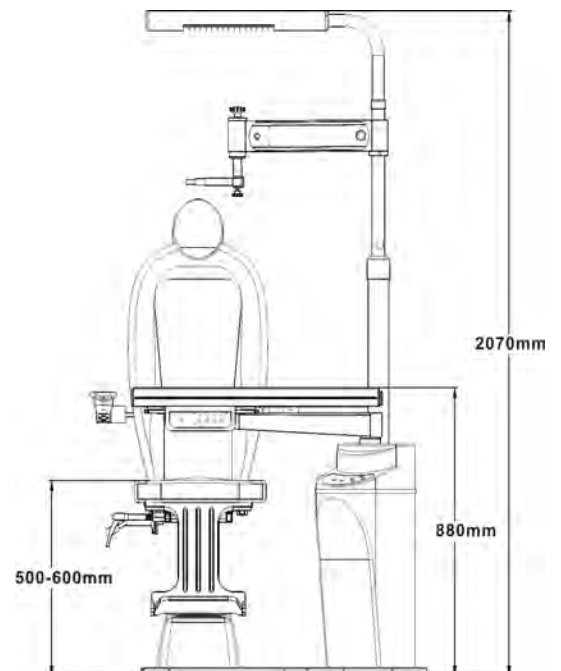
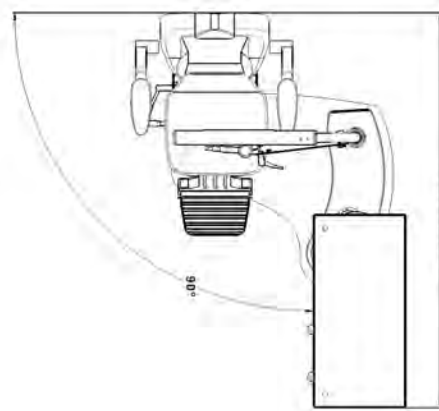
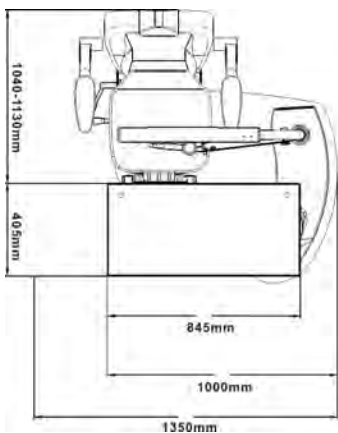
To influence the sliding table



Energy Saving Light Optometry

Elegant, energy saving

Dimensions



TECHNICAL SPECIFICATIONS

| | |
|------------------|------------------|
| Unit size | 870*700*1850mm |
| Table Size | 860*510mm |
| Table lifting | range 200mm |
| Power | 80W |
| Electric Voltage | AC220V/110V 50HZ |
| Weight | 100kg |

