



NEW

ULTRA M5

SLIT LAMP SERIES



The **Marco Ultra M Series** is an inspiring orchestration of the Ultra Optics pedigree, elegant and intelligent design, progressive engineering, and functional flexibility. Never have more relevant design enhancements been assembled in a single slit lamp series.

Experience the uncompromised quality, control, and reliability of the Ultra M Series embodied in the most contemporary and functionally empowering slit lamp design ever.

We've reimagined better...and beyond



MERCOFRAMES
OPTICAL CORP

+1 305-882-0120

5555 NW 74 Av.
Miami, FL 33166

sales@mercoframes.net
www.mercoframes.com

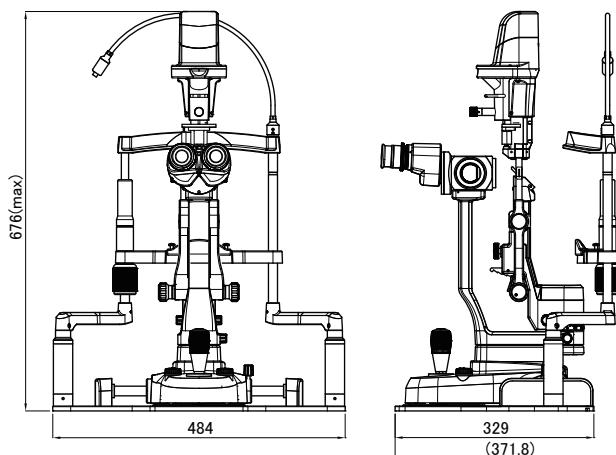
ULTRA M5 Specifications

20 Years ago, Marco changed the boundaries of conventional slit lamp design and performance with the original Ultra Series. Today, the **Ultra M Series** introduces a new era of diagnostic empowerment. Marco has again established the latest standard in slit lamp examinations.

- Single-element, high-luminance LED illumination
- 5-power Parallel / Galilean optics
- 0-14mm continuously adjustable aperture
- Patented, built-in Background Illumination system for digital imaging
- Completely integrated (cable free) low voltage electronic system
- Expanded chin rest design for easier patient access
- Cobalt blue, Red-free, Yellow, Blue LED correction filters
- Self-contained headrest & baseplate assembly

Type Binocular Stereomicroscope	Parallel (Galilean)
Light Source	LED
Light Source Configuration	Tower with Tilt
Background Illumination	Yes
Light Filters	Blue, Red-free, Blue LED Correction, Yellow
Slit Width	0-14mm continuous variable
Aperture Diaphragm Diameter (Ø)	14, 10, 5, 3, 2, 1, 0.2mm
Total # Power Magnifications	5 (6.3x, 10x, 16x, 25x, 40x)
Magnification Change	5 Position Rotating Drum
Eye Pieces	16x wide-field, high-eyepoint
Real Field of View (Ø)	35.9mm, 23.3mm, 14mm, 8.8mm, 5.5mm
Interpupillary Adjustment	52-82mm
Diopter Adjustment Range	(+/-) 7 diopters
Horizontal Coarse Movement	105mm
Horizontal Fine Movement	15mm
Vertical Movement	30mm
Fixation Light Source	Red LED on Flexible Arm
Large Patient Chin Rest	Yes
Chinrest Elevation	85mm
Power Supply	AC100V-240V (+/-10%)
Power Consumption	DC5V 2A
Weight	12.5Kg

Dimension Illustrations:



676mm h x 484mm w (front)
676mm h x 329mm w (side)
[420mm to optics]

A complete line of custom Ultra M5 accessories are also available.