

# S4OPTIK



## **INSTRUMENT TABLES**

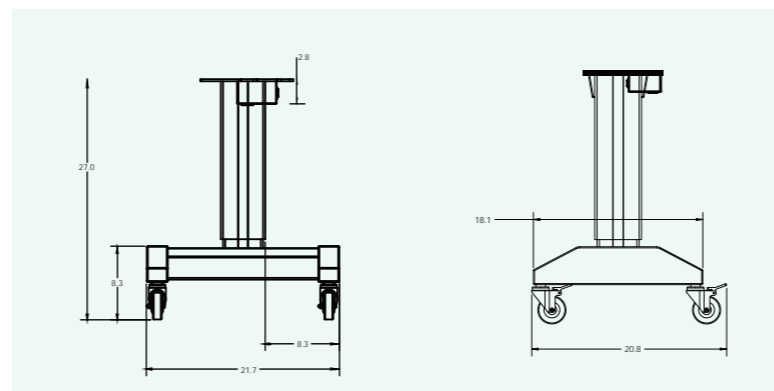
Table Options

Customized. Accessible.

Choose from a wide range of S4OPTIK table options.  
Custom sizes and wheelchair accessible tables available –  
all qualify for ADA credits.



### H BASE Atlas Center Pedestal Table



### H BASE Atlas Side Pedestal Table

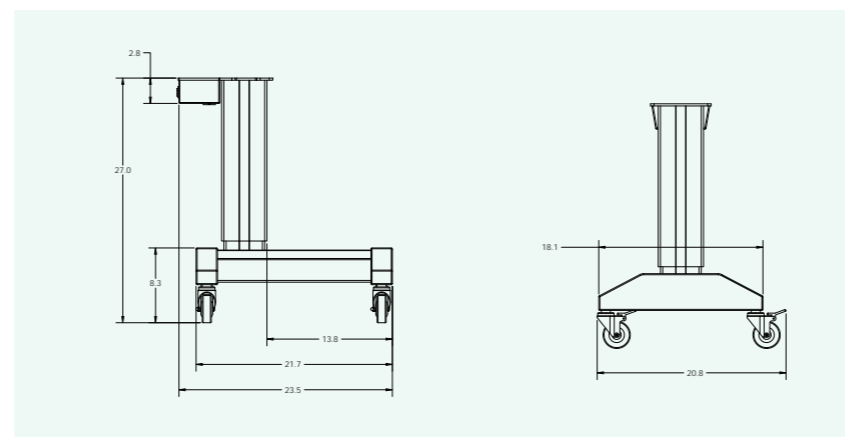


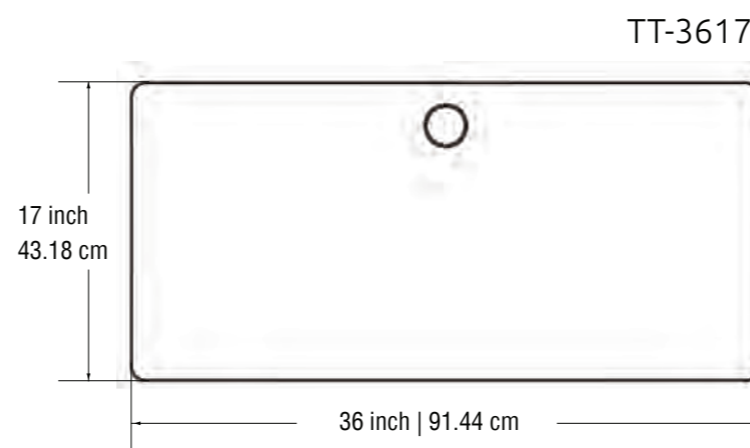
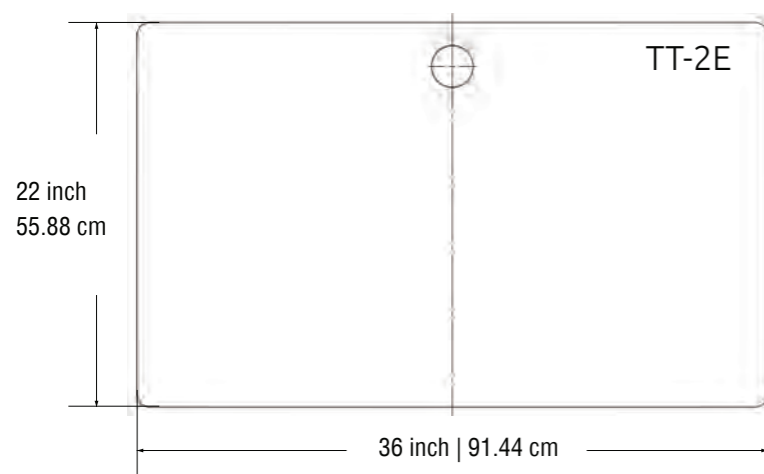
Table height dimensions with table top included:  
 Lowest position to floor: 28" (71cm)  
 Highest position from floor 35.75" (91cm)  
 Total lift measurement 7.75" (19.5cm)

# H Base Pedestal Tables

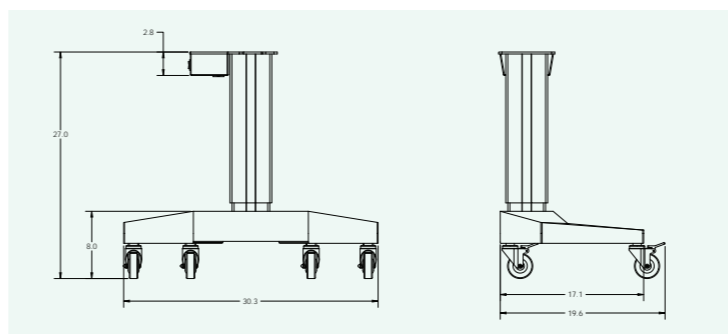
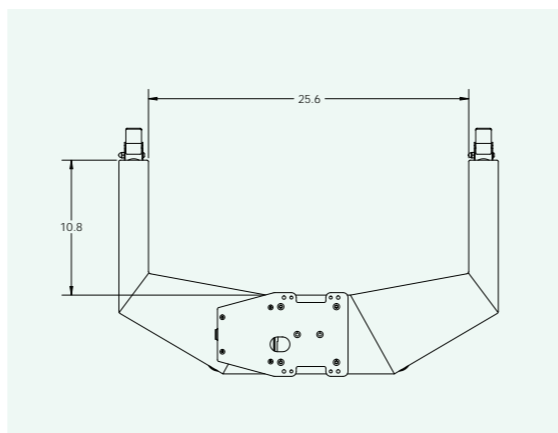
All tables qualify for ADA credits.

### Standard Table Top Sizes

Custom table top sizes available upon request.



**U BASE Wheelchair Atlas Table**



**U Base**  
**Pedestal**  
**Tables**

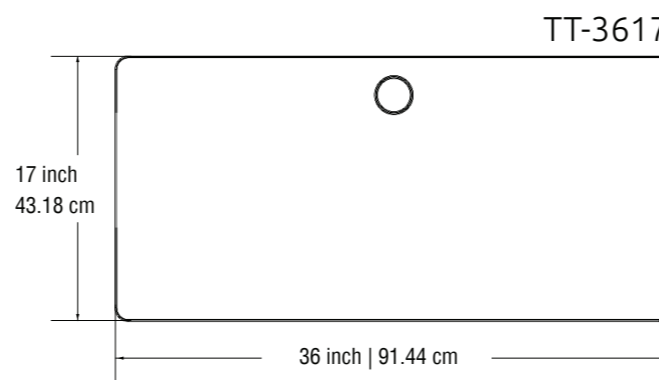
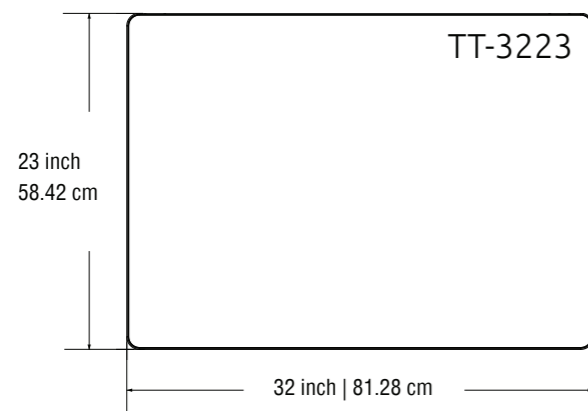
All tables qualify for ADA credits.

**Standard Table Top Sizes**

Custom table top sizes available upon request.

Table height dimensions with table top included:

- Lowest position to floor: 28" (71cm)
- Highest position from floor 35.75" (91cm)
- Total lift measurement 7.75" (19.5cm)



**Two Position Instrument Table**



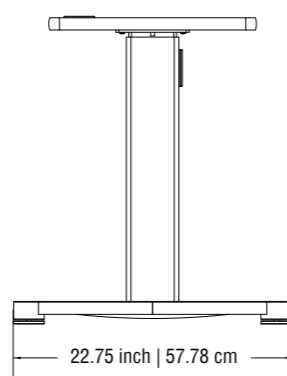
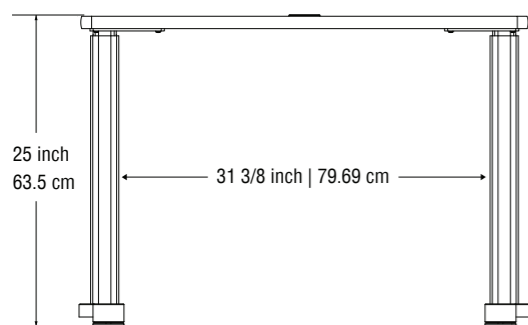
**Two Position Tables**

Save time and space with the S4OPTIK two position instrument table.

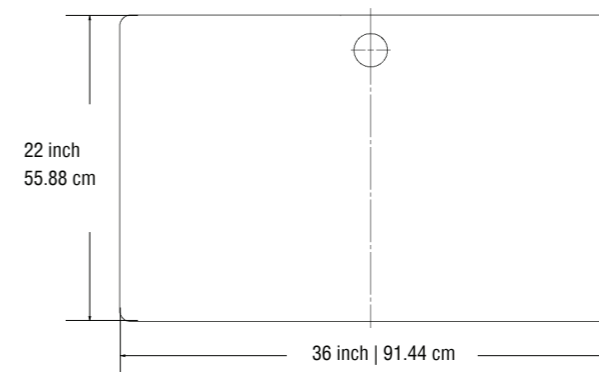
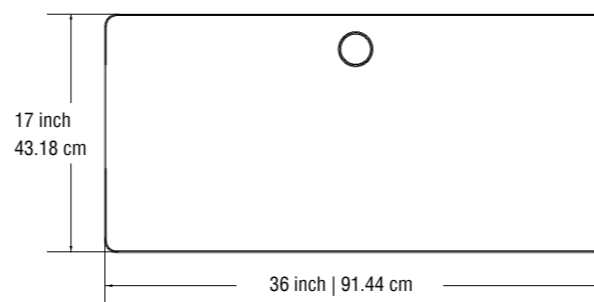
- Wheelchair accessible
- Custom table top sizes available upon request
- All tables qualify for ADA credits.

All tables qualify for ADA credits.

Vertical Range: 25" (63.5cm) to 48.42" (123cm)



STANDARD TABLE TOP CONFIGURATION



## Three Position Instrument Table



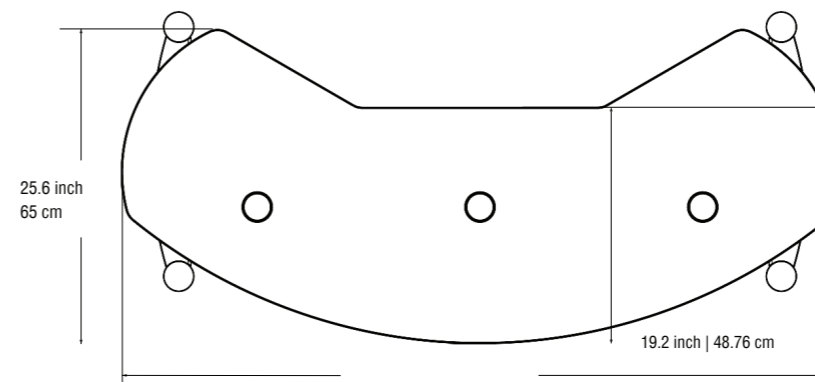
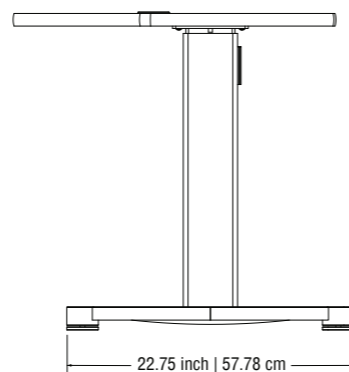
Vertical Range: 25" (63.5cm) to 48.42" (123cm).



# Three Position Tables

Facilitate up to three instruments with this space-saving table, featuring dual lift and effortless wheelchair accessibility.

All tables qualify for ADA credits.



### About S4OPTIK

Modern Design, Quality Materials, Exceptional Value.

Understanding the unique needs of eye care practices all over the world, S4OPTIK delivers extraordinary value in high quality diagnostic equipment and accessories. With modern designs to enhance your office environment, competitive prices to help you manage your costs, and an industry leading warranty, S4OPTIK eye care instruments help you in patient care. Contact us today for pricing.

