

argo

ARGO **AOU7011**

STAND AND CHAIR
User Manual



MERCOFRAMES OPTICAL CORP

5555 Nw 74 Ave. Miami, Fl. 33166. 305-882-0120

www.mercoframes.net sales@mercoframes.net

PREFACE

Thank you for choosing our product. Please read this user manual carefully in order to familiarize yourself with to obtain the best performance from your system. Place the manual in a convenient location for future reference.

CONTENTS

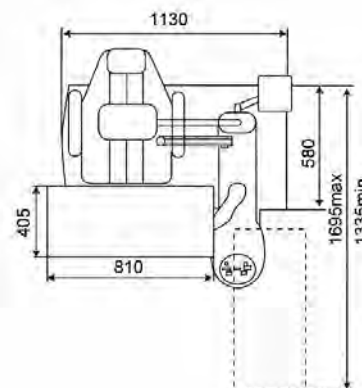
- I. Product Introduction
- II. Main Parameter
- III. Parts Listing
- IV. Installation
- V. Warning
- VI. Basic Operation
- VII. After Service
- VIII. Package

I. Product Introduction

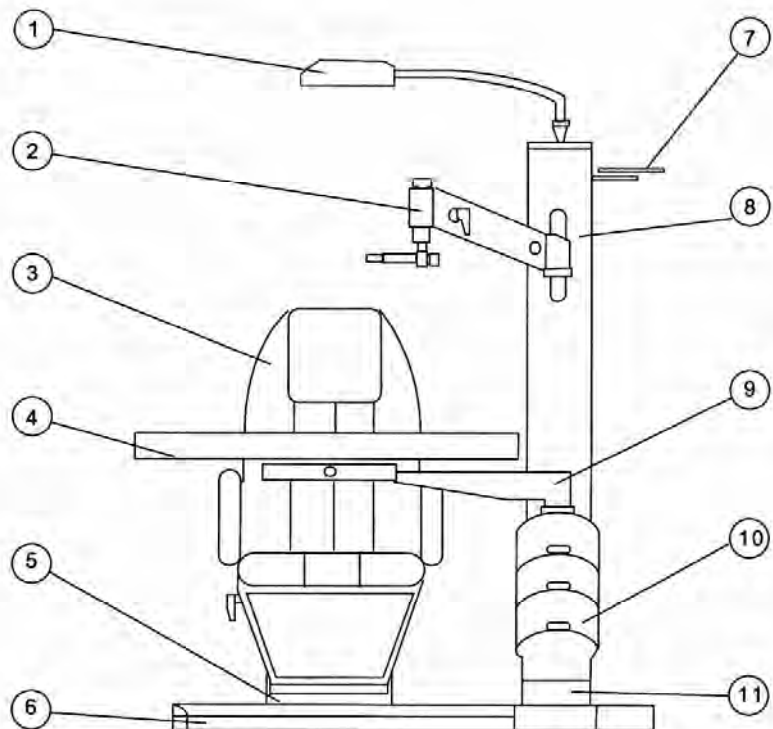
The Stand and Chair is elaborately designed as per customers' requirements. This product is made of high quality in shape, firmness in structure, convenience in maintenance and ease in operation. It is wearable and rustless. As a unit of a complete set of medical apparatus for ophthalmology, this chair and stand is an ideal choice for ophthalmologists and opticians not only in hospitals but also in clinic and glasses shops.

II. Main Parameter

Rotating Angle of Table Top	90°
Displacement Distance of Sliding Table	360mm°
Elevation range of Chair	120mm
Loading Capacity of Arm	10kg
Power of Lamp	24w
Voltage	AC110V/60Hz or AC220V/50Hz
Weight(N.W)	170kgs



III. Parts Listing



- | | | | |
|------------------|------------|-------------|--------------|
| 1. Overhead Lamp | 2. Arm | 3. Chair | 4. Table Top |
| 5. Footrest | 6. Base | 7. Bracket | 8. Pole |
| 9. Rotary Lever | 10. Drawer | 11. Support | |

IV. Installation

Please open the packing box and check the Packing list, then verify the parts according to the packing list.

1. Installation of chair back (Fig. 1)

- (1) Remove the left and right covers of armrest, and then take away the screws M8, which is used to fix the chair back.
- (2) Put the setscrew, which located in the end of the chair back, into the support of armrest, also put the other side of the setscrew into it, then fasten the screws M8.
- (3) Center the fixed nut part and assembly hole, then fasten the screws.
- (4) Install the covers of armrests.

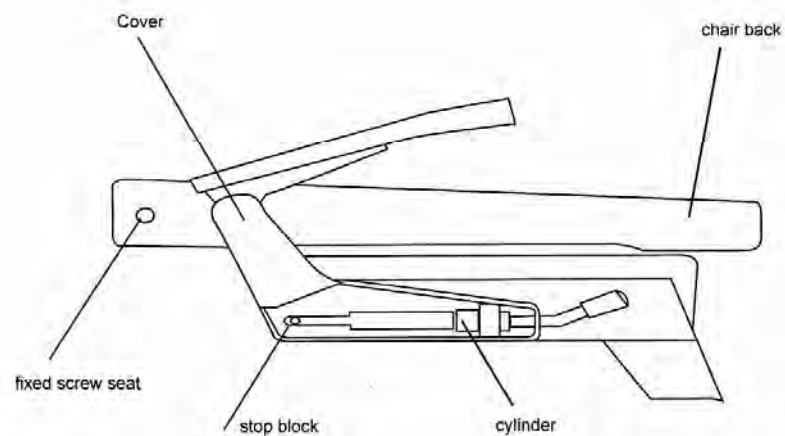


Fig. 1

2. Installation of Pole (Fig. 2)

- (1) Open the power box and insert the plugs of wires into sockets according to different colors.
- (2) Install the pole and tighten the screws.

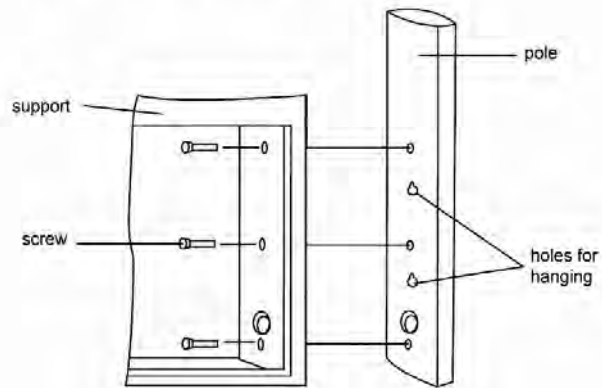


Fig. 2

3. Installation of Parts on pole

- (1) Overhead Lamp (Fig 3)
 - <1> Put the wires in and inserts the plugs of wires into the sockets according to different colors.
 - <2> Insert the iron tube and tighten the screw.

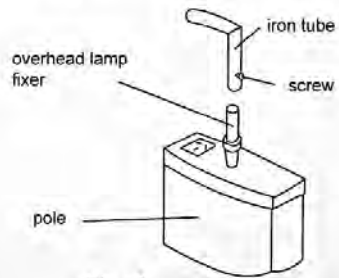


Fig. 3

(2) Projector Fixer (Fig4)

- <1> Projector Fixer Base
- <2> Projector Fixer Lever

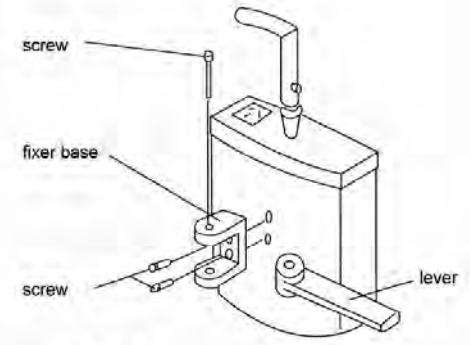


Fig. 4

4. Installation of Arm (Fig. 5)

- <1> Insert the arm fixer into sleeve and tighten the screws
- <2> Insert the arm and lock it up

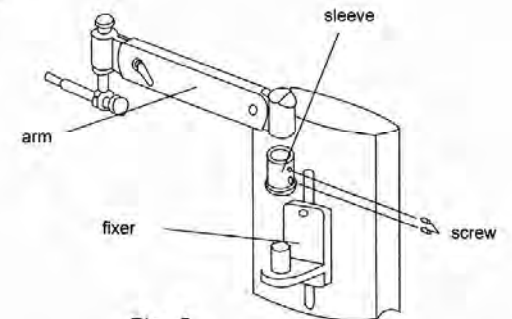


Fig. 5

V. Warning

1. The AC power for this product should be coincident to the local power source. Please check it before operation.
2. There is an overheating preventer for protecting the motor. Once the overheating preventer works, the lift of the chair will not be up or down. And the chair would work normally again after ten minutes.
3. In order to prevent electrical leakage, keep the stand away from moisture and rain.

4. It is dangerous to open the box to repair the stand without cutting off the power supply. Please let professionals undertake the repair work.
5. Please let the plug of the cable be out of the socket of the power if the stand is out of operation for a long time.
6. If the stand and chair need to be cleaned, please be sure firstly take off the cable from socket, then clean the stand surface with a soft cloth wetted by a neutral cleaner. It is harmful to clean the stand with a piece of sandpaper, or alcohol of other vaporizable solutions etc.

VI. Basic Operation

1. Insert the plug of the cable into the socket of the power, and turn on the main power switch on the bottom of pole.
2. Control panel (Fig. 6)

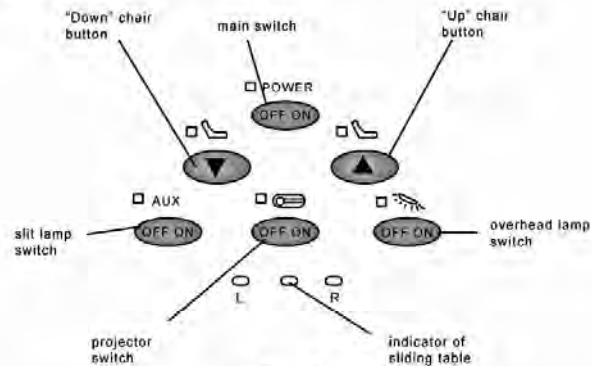


Fig. 6

3. Push the power button, if the indicator is light, it indicates that power is on. Push the power button again, if the indicator turns off and means power is off.
4. Use of the Chair
 - (1) Push chair UP button continuously so that the chair lifts up slowly; Push Chair Down button continuously in order to lower down. There is a limiting switch under the sliding table to prevent personal accidents.
 - (2) The chair can be rotated horizontally to an angle of 90, kindly loses the locking lever below the chair, then rotate the chair to an ideal angle, and lock it up again.
 - (3) It is strongly recommended that the operation of UP and Down should not last continuously over one minute.

5. Projector

- (1) There is a fixed socket on the upper part of the pole for supplying power to the projector.
- (2) On the control panel, there is a control button for controlling on or off of projector.

6. Sliding Table

- (1) The sliding table is locked in normal condition. Be sure to loose the locking lever below the table, and then the table top can be moved horizontally.
- (2) The table can also be rotated round the support to an angle of 90. There is a mechanic limiting component, Please loose the locking lever on the support, then rotate the table to an ideal angle and lock it up again.
- (3) On both sides of the table top there is a DC socket (3V-12V) for supplying power to slit lamp. On the control panel, there is an "Aux" button for controlling power of slit lamp.
- (4) Below the sliding table, there is a socket for supplying power to refractometer.

7. Arm

- (1) Loose the fixer of the arm and adjust the level of the arm on the pole.
- (2) Loose the locking handle of the arm, then the arm can be adjusted. Pull the arm to an ideal position, and lock it up again.

VII. After Service

1. We offer one year warranty on the product from the date written in the invoice, but the following cases are exclusive.
 - (1) Disassembly and repair made by customers.
 - (2) Damage caused in transport and store or by an unsuitable power source and wrong voltage.
 - (3) Wrong operation or disobedience to the user manual.
2. Please operate the product according to user manual. If there is something wrong, let the plug of the cable out of the power immediately and contact with the local agents.

VIII. Two Package Options Available

Packing List Option 1 (4 packages)

No: 1 Package (Length*Width*Height): 940mm*320mm*840mm Weigh: 54KG				
Item	Name	Specification	Number	Remark
1	Main machine		1	
2	Hexagon wrench	2.5mm	1	
3	Hexagon wrench	3mm	1	
4	Hexagon wrench	5mm	1	
5	Hexagon wrench	6mm	1	
6	Hexagon wrench	8mm	1	
7	solid wrench	12-14	1	
8	Wire		1	
9	Fuse	5A	2	
10	Handle	M12*95	1	
11	Positioning ring		1	
12	Hexagon screw	M6*16	1	
13	Hexagon screw	M6*25	3	
14	Hexagon screw	M8*30	4	
15	Hexagon screw	M10*30	4	
16	Hexagon screw	M5*8	1	
17	Hexagon screw	M6*16	1	
18	Hexagon screw	M4*10	4	
No:2 Package(Length*Width*Height):1870mm*290mm*240mm Weigh:18KG				
Item	Name	Specification	Number	Remark
1	Pole		1	
2	Manual		1	
No: 3 Package (Length*Width*Height):1200mm*780mm*150mm Weigh: 39KG				
Item	Name	Specification	Number	Remark
1	Base		1	
No: 4 Package(Length*Width*Height):960mm*750mm*930mm Weigh:80KG				
Item	Name	Specification	Number	Remark
1	chair		1	
2	arm		1	
3	Projector bracket		1	
4	table-board		1	
5	Overhead Lamp		1	
Package Inspector:				
Packing Date:				

Packing List Option 2 (2 packages)

No: 1 Package(Length*Width*Height):1240mm*1240mm*1050mm Weigh: 165				
Item	Name	Specification	Number	Remark
1	Main machine		1	
2	Projector bracket		1	
3	Arm		1	
4	Overhead Lamp		1	
5	Hexagon screw	M6*25	3	
6	Hexagon screw	M4*10	4	
7	Hexagon screw	M5*8	1	
8	Hexagon screw	M6*16	1	
9	Hexagon wrench	2.5mm	1	
10	Hexagon wrench	3mm	1	
11	Hexagon wrench	5mm	1	
12	Hexagon wrench	6mm	1	
13	Wire		1	
14	Fuse	5A	2	
No: 2 Package(Length*Width*Height):1870mm*290mm*240mm Weigh: 18				
Item	Name	Specification	Number	Remark
1	Pole		1	
2	Manual		1	
Package Inspector:				
Packing Date:				