

Ophthalmic Instrument Stand

HANS HEISS HHOU - 2030

Häns Heiss

**New-Generation model
with durable, performance-oriented, affordable
and space-optimized stand.**



FEATURES HHOU - 2030



LED LAMP

Easy to adjust an angle as well as height.
2 Steps for LED Lamp : 50% & 100%



COUNTER BALANCED ARM & MONITOR ARM

Counterbalanced phoropter arm locks and allows adjustment with a single hand.
Various types of monitors could be mounted with monitor arm easily.



POWER OUTLET FOR SLIT LAMP

Power can be supplied from the closest location to the slit lamp.



SWITCHES (Slit lamp arm & chair)

Raise and lower switches on the slit lamp arm control slit lamp arm&chair height adjustment



CHARGING WELL

Two Rechargeable wells accommodate all brands hand held Retino-Scopes.

Basic: Welch Allen & Neits

Optional: Keeler & Heine (It could be necessary to be modified in case of the latest version)

FEATURES HHOU - 2030



BUTTON CONSOLE(BASIC)

Durable switches, logically positioned. Soft touch feeling.



ARM FOR SLIT LAMP TABLE

The Stroke is 7.8"(20 cm) and the allowable loading weight is 66 lbs(30Kg).

Could be adjusted Arm easily by User.

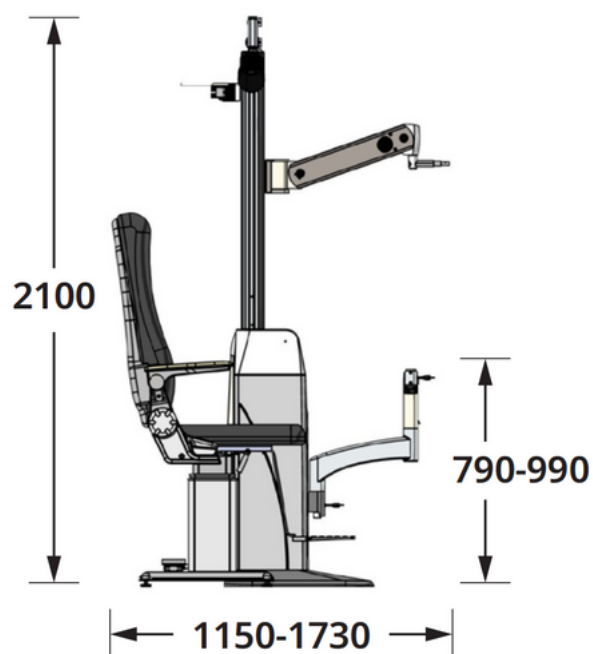
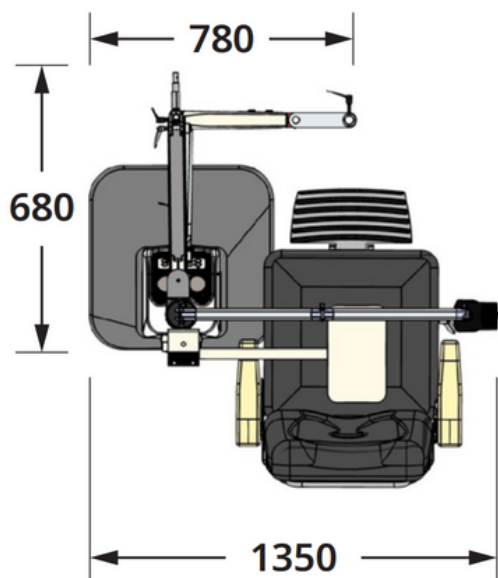


LCD CONSOLE(OPTIONAL)

Luxurious Appearance & Logical Console

2 Steps for LED Lamp : 50% & 100% Modernized LCD with just touch

Applicable Chair



SPECIFICATION (MM)


Unit Table	External Dimension	950(W) x 750(D) x 2100(H)
	Arm(Table) Height	Min.790 ~ Max.990
	Up/Down Stroke&Speed	200mm, 15mm / sec
	Rated Voltage	AC 110 or 230V / 50 or 60 Hz
	Power Consumption	250VA
	Allowable Loading Weight of Table	30kg (66 lbs)
	Net Weight	102kg (225 lbs)
Chair	External Dimension	650(W) x 770(D) x 1240(H)
	Seat Height	Min.510 ~ Max.760
	Up/Down Stroke&Speed	250mm, 20mm/sec
	Allowable Loading Weight of Chair	160kg (353 lbs)
	Net Weight	58kg (128 lbs)
Total Net Weight (Unit+Chair)		160kg(353 lbs)





 5555 NW 74 AVE. MIAMI FL. 3316

 mercoframes.com

 salesusa@mercoframes.net

 P: 305-882-0120

 F: 305-882-0140

 +1 305-882-0120