

S4OPTIK



**CHAIR GLIDE &
MOVER**





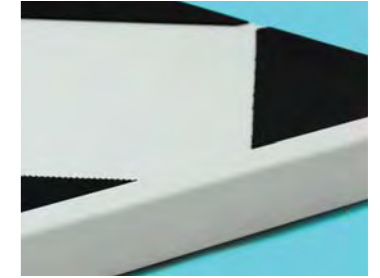
Chair Glide

Place the satin finished, stainless steel base plate on any floor surface. Centered on the plate, a stainless steel track guides the carriage and prevents lateral movement.

A heavy-duty stop limits the distance of travel. The track is tapered for better patient access.

FEATURES:

- Stainless Steel Base
- Works On Any Floor Surface
- Heavy-Duty Stop Mechanism



Chair Mover

Make your examination room wheel chair accessible.

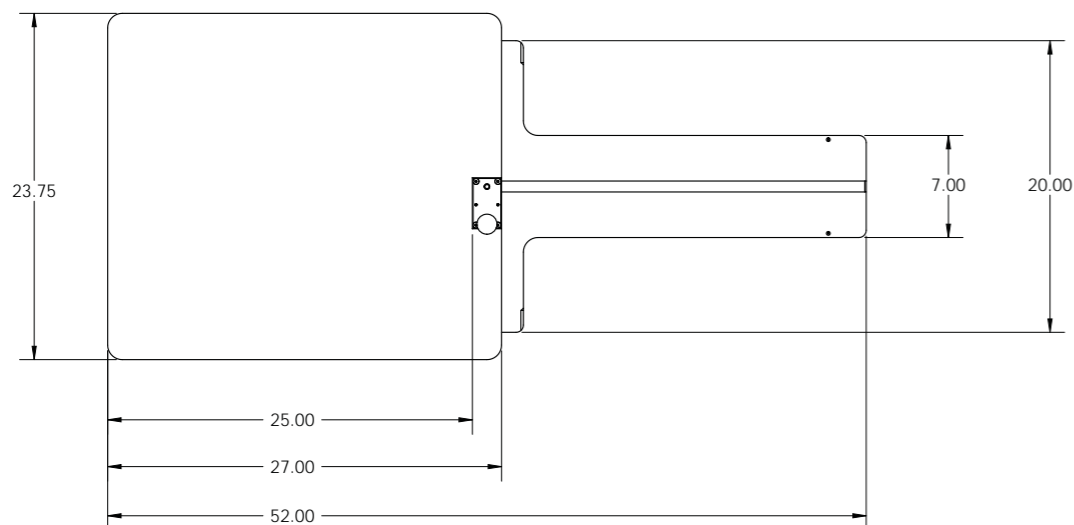
The S4Optik chair mover is ideal in facilitating positioning of patients unable to sit in your examination chair

FEATURES:

- Stainless Steel Base
- Works On Any Floor Surface
- Heavy-Duty Mechanism
- Steel Rollers



chair glide



SPECIFICATIONS

Base: 23.75" (60.32 cm) wide x 52" (132.08 cm) depth

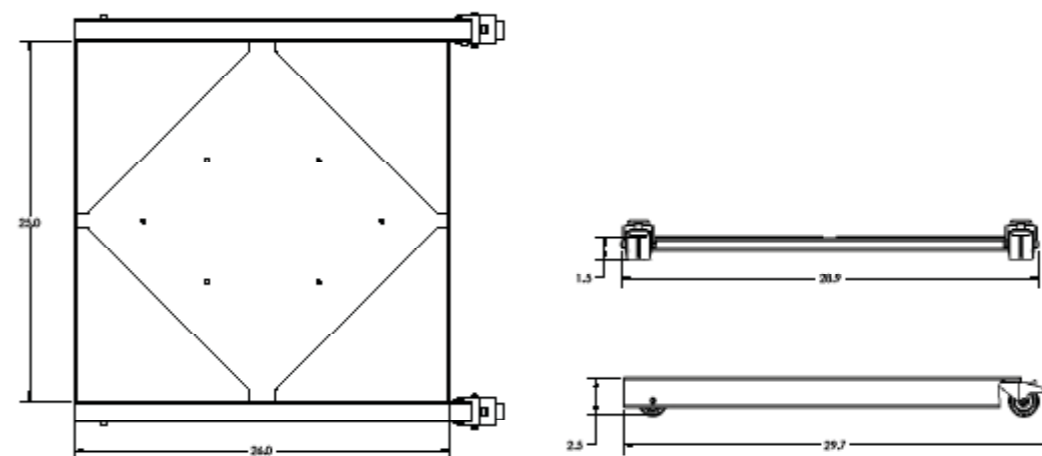
Shipping Weight:

Bottom assembly is approximately 30 lbs (14 kg)

Top assembly is approximately 50 lbs (22.7 kg)

full
specs

chair mover



SPECIFICATIONS

Base: 25" (63.5 cm) wide x 29.7" (75.43 cm) depth

Shipping Weight: 40 lbs (18.14 kg)

