
Product:

SURGICAL STRETCHER

Model:

HHOU 2010



**INSTRUCTION FOR ASSEMBLY
AND TEST HHOU-2010**

**Instruction
IT-MCO 01**

Version 1.0

Page: 2 of 18

First-Step. Base Mounted Mechanical mounting HHOU-2010

Bill of materials-COD. SIST. 15424

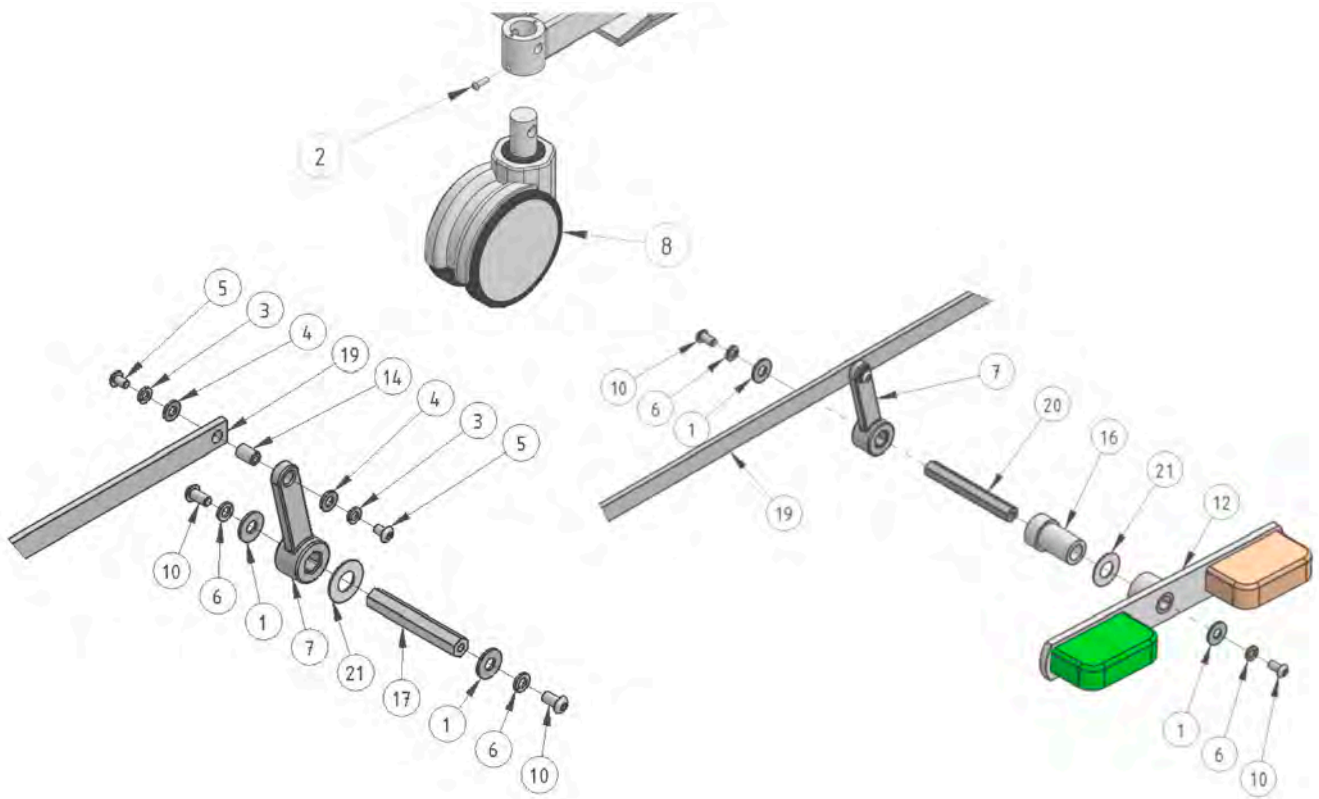
POS.	CODIGO	DESCRIPTION	QTY
1	102	ARR LISA 1/4 "ZN	10
2	298	PF ST INT INOX AB M6 X 20 P1	05
3	326	ARR M5 PRESSURE ZN	12
4	948	ARR LISA M6 125 ZN	12
5	951	PF ST INT AB M5 X 8 P STAINLESS 0.8	12
6	2138	ARR PRESSURE M6 ZN	10
7	2141	TRANSMISSION LEVER	06
8	3800	RODIZIO SCHIOPPA 150 DIRECTIONAL DOUBLE BRAKE AVANTECH Ø32X53 ROD	01
9	3913	RODIZIO SCHIOPPA 150 DOUBLE BRAKE Ø32X53 ROD AVANTECH 1.01.150.0	03
10	8681	PF ST INT INOX AB M6 X 12 P1	10
11	13662	LINEAR ACTUATOR TIMOTION TL3-2B-200350-20122-11 m, stroke = 200 mm, MON	01
12	4556	AVANTECH PEDAL-UBB-2106974 1.08.151.000.0013 PAINTED (white G	02
13	13653	SUPPORT BCC GII 6080C FLATBED	01
14	13659	STEEL PIN Ø5/16 "X 12.5 MM THREADED HOLE M5	06
15	15417	BASE STRUCTURE-CCO 6080C GIII	01
16	15418	HEXAGONAL BRAKE GUIDE-CCO 6080C GIII	02
17	15419	7/16 "HEX SHAFT X70MM	02
18	15422	7/16 "HEX SHAFT X592MM	01
19	15423	COORDINATION of BAR BRAKES-CCO 6080C GIII	02
20	15425	7/16 "HEX SHAFT X 85, 5 mm	02
21	13660	Ø13XØ27X 1.0 MM NYLON WASHER DES 46013660	06

INSTRUCTION FOR ASSEMBLY AND TEST HHOU-2010

Instruction
IT-MCO 01

Version 1.0

Page: 3 of 18

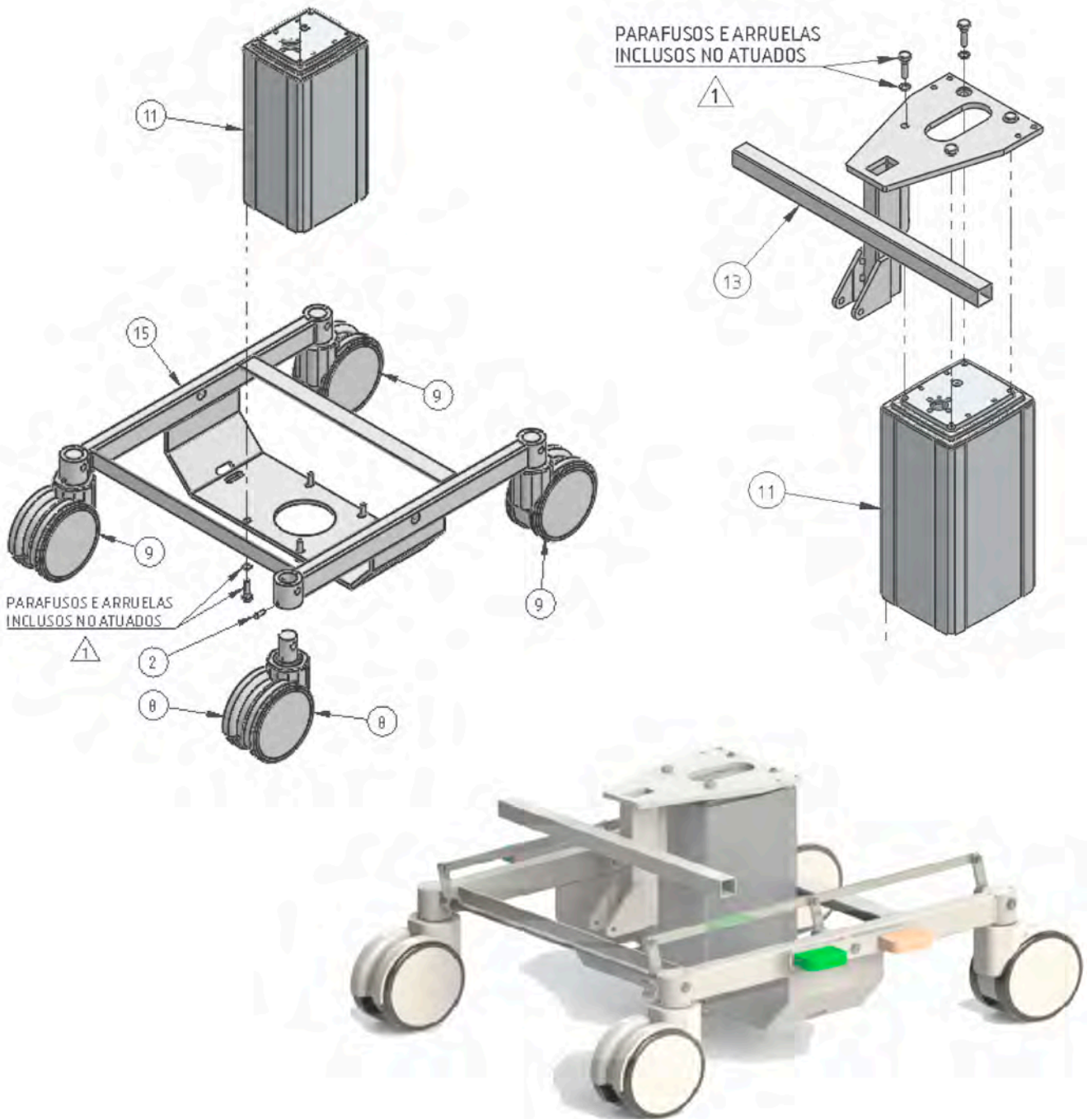


INSTRUCTION FOR ASSEMBLY AND TEST HHOU-2010

Instruction
IT-MCO 01

Version 1.0

Page: 4 of 18



2nd-Stage. Mechanical Bed mount CCO HHOU-2010

Bill of materials-COD. SIST. 15426

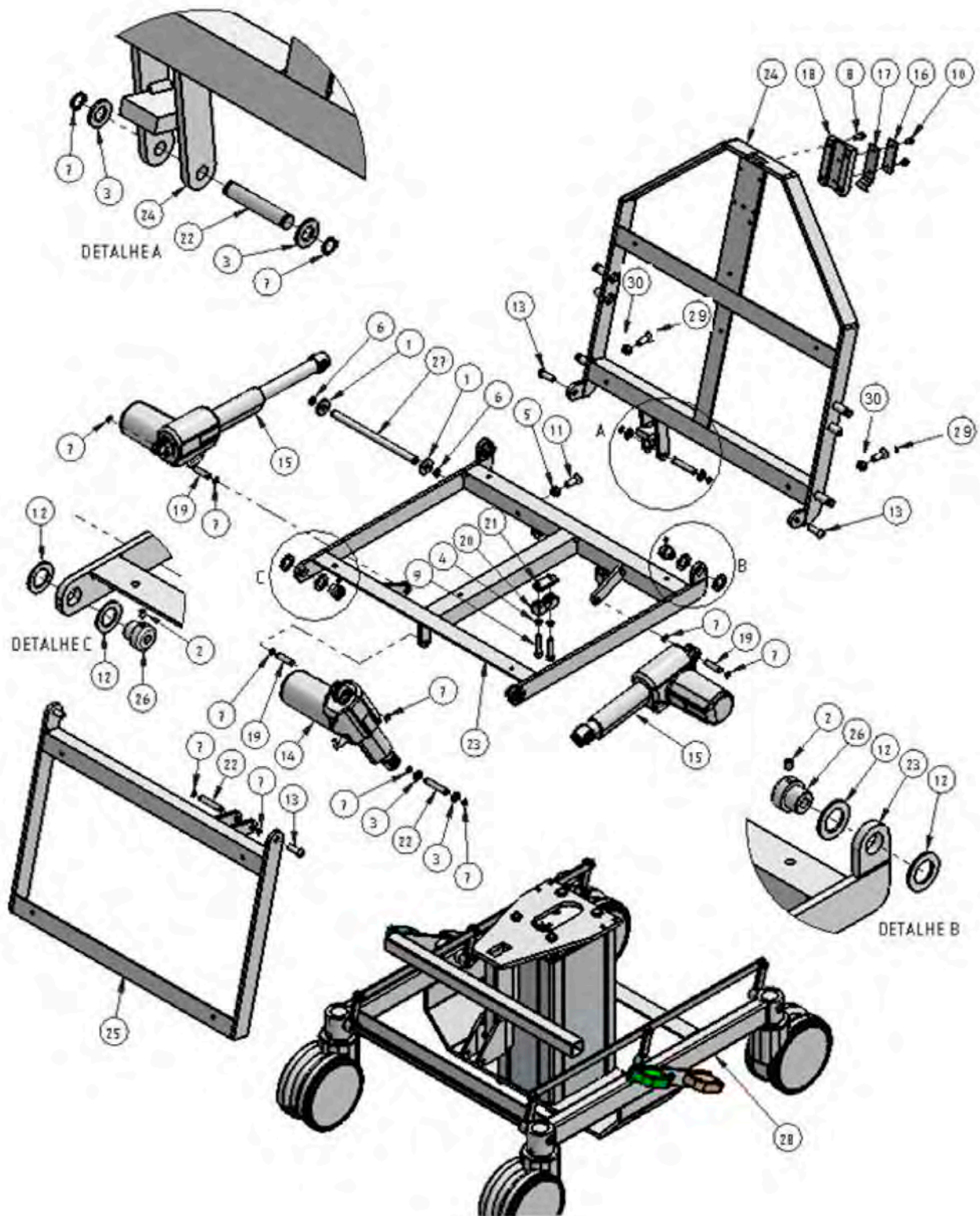
POS.	CODIGO	DESCRIPTION	QTY
1	254	ARR LISA 1/2 "ZN	02
2	267	PF ST INT S/C M5 x 0.8 P 8 PR	04
3	809	ARR LISA M10 ZN 125	04
4	2143	ARR PRESSURE M8 ZN	04
5	2164	PO ST M10 MA F 1.50 CH17 ZN	01
6	2734	E13 STRETCH RING	02
7	3453	E10-STRETCH RING	12
8	7678	PF ST INT C/C STAINLESS STEEL M6 X 20 P1	04
9	9748	PF ST INT C/C STAINLESS STEEL M8 X 40 P 1.25	04
10	10356	PF ST INT C/C STAINLESS STEEL M6 X 10 P1	02
11	12591	PF ST INT CH STAINLESS M10 X 30 P 1.5	01
12	13540	NYLON WASHER Ø19MM FW0450A CODE	08
13	13547	PF ST INT AB STAINLESS M10 X 1.50 P 30	04
14	13297	LINEAR ACTUATOR TIMOTION TA1-2 I-100263-411230-31215-MP, stroke = 100 mm, Assembly = 263 mm	01
15	13298	LINEAR ACTUATOR TIMOTION TA1-2 I-130293-411220-21215-MP, stroke = 130 mm, Assembly = 293mm	02
16	13670	BORING BAR 1/8 "X 7/8" X65MM DES 13260438	01
17	3745	SPRING PLATE LATCH BACKREST HEAD EXCELLER DES 13260578 (ZN BR)	01
18	13671	BACKREST CHAIR HEAD GUIDE DES 13260688	01
19	3324	GUIDE PIN ACO Ø10X38MM DES 15040518 (ZN BR)	03
20	13654	COORDINATION of BEARING TREND DES 46013654	02
21	13655	The BEARING of FIXATION COVER COORDINATION of TREND DES 46013655	02
22	13661	GUIDE PIN Ø10X56MM DES 46013661	03
23	13711	SEAT FRAME CCO 6080C GII DES 46013711	01
24	13723	STRUCTURE of the BACKREST CCO 6080C GII DES 46013723	01
25	13734	STRUCTURE of BCC 6080C GII DES 46013734 LEGGINGS	01
26	13737	COORDINATION PIN 18 X 12, 5 mm THREADED HOLE M10 DES 46013737	04
27	13738	GUIDE PIN Ø1/2 "X223MM DES 46013738	01
28	15424	BASE MOUNTED MECHANICAL CCO 6080C GIII	01
29	6613	PF ST INT CH M10 X 20 P 1.5	02
30	2164	PO ST M10 MA F 1.50 CH17 ZN	02

INSTRUCTION FOR ASSEMBLY AND TEST HHOU-2010

Instruction
IT-MCO 01

Version 1.0

Page: 6 of 18

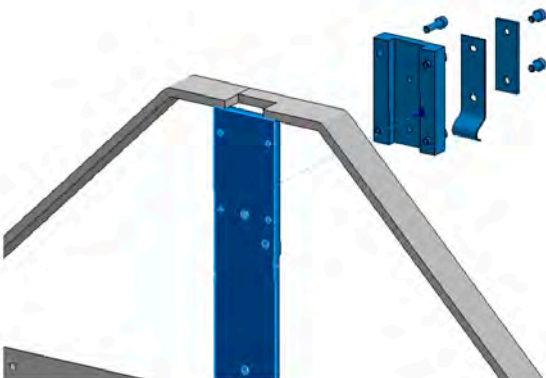
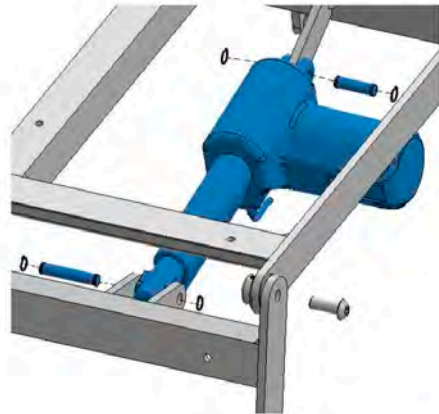
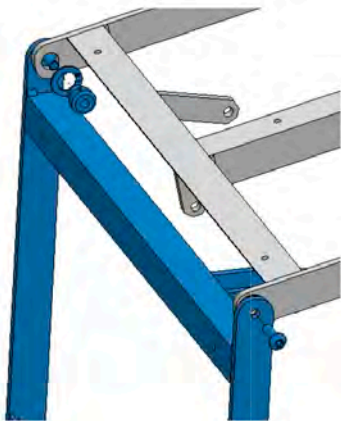
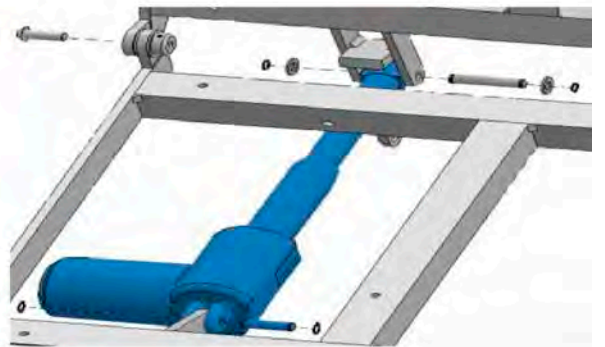
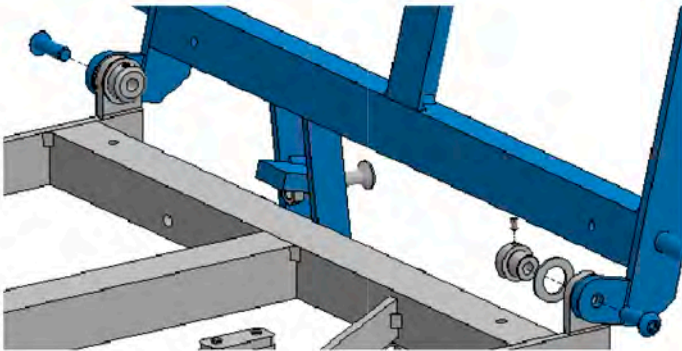
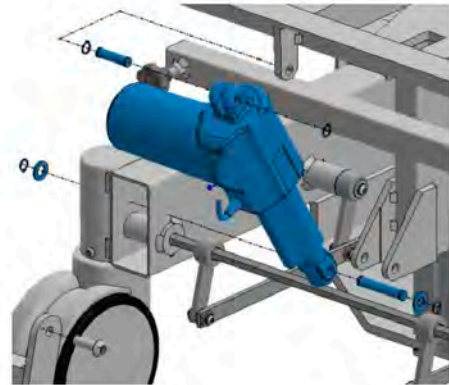
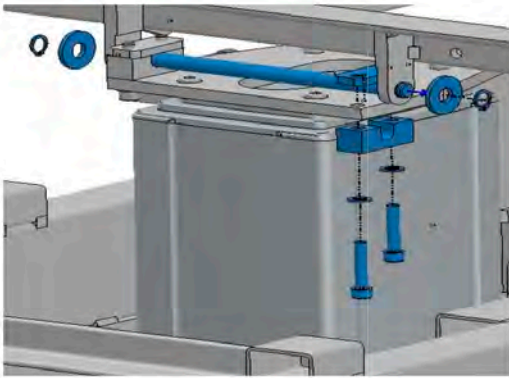


INSTRUCTION FOR ASSEMBLY AND TEST HHOU-2010

Instruction
IT-MCO 01

Version 1.0

Page: 7 of 18



**INSTRUCTION FOR ASSEMBLY
AND TEST HHOU-2010**

**Instruction
IT-MCO 01**

Version 1.0

Page: 8 of 18

Third-Stage. Electric HHOU-2010 mounted GIII

Bill of materials-COD. SIST. 15435

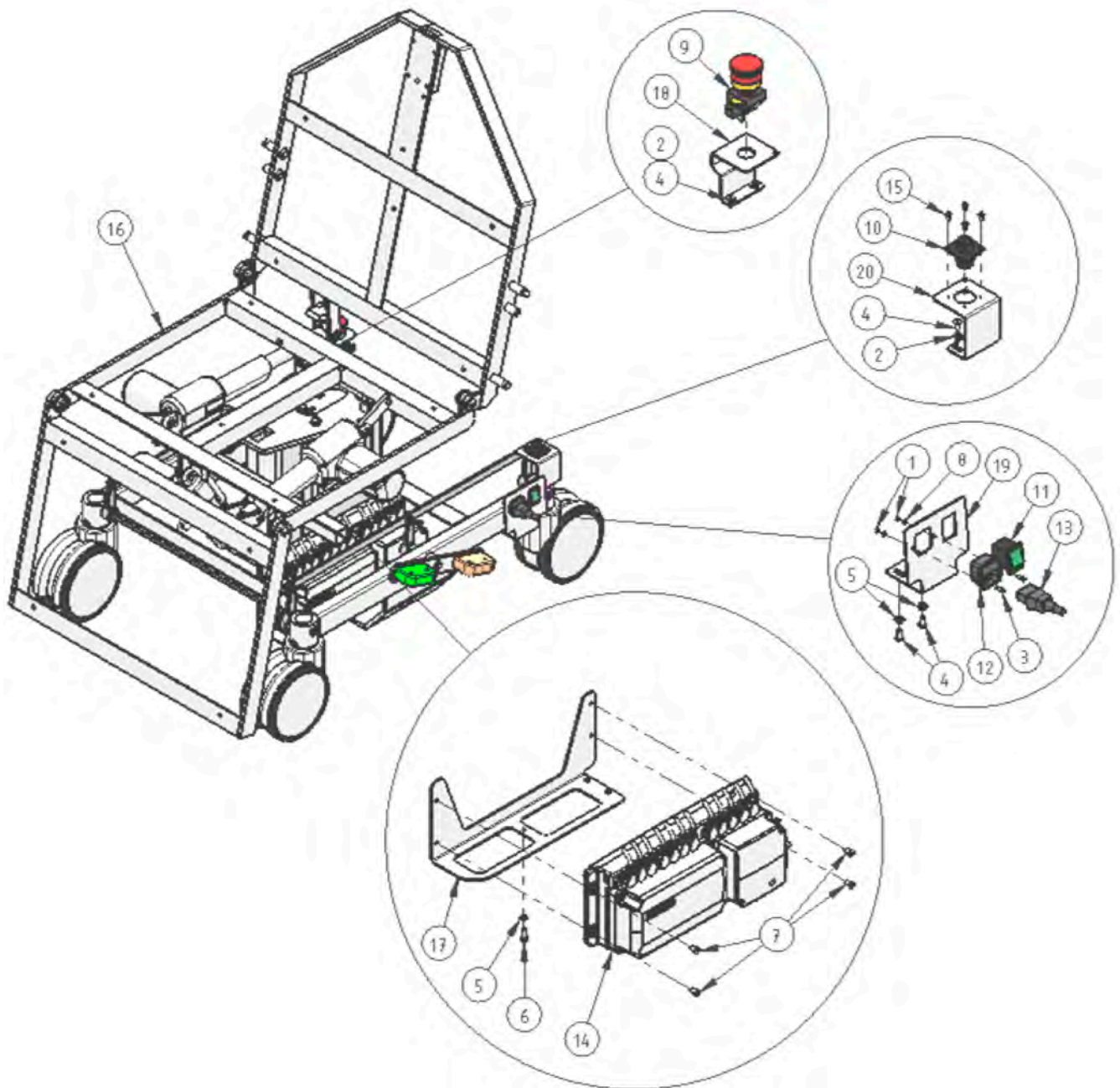
POS.	CODIGO	DESCRIPTION	QTY
1	134	PO ST M3 MA F CH ZN 5.50 0.50	02
2	326	ARR M5 PRESSURE ZN	04
3	1401	PF MQ M3 X 10 STAINLESS PA FP	02
4	1634	PF ST INT AB M5 X 12 P STAINLESS 0.8	06
5	2138	ARR PRESSURE M6 ZN	05
6	8118	PF ST INT C/C STAINLESS STEEL M6 X 16 P1	03
7	8681	PF ST INT INOX AB M6 X 12 P1	04
8	11687	ARR PRESSURE M3 ZN	02
9	13764	EMERGENCY BUTTON TIMOTION TEB-2121	01
10	13932	PCP 16-WAY MALE CONNECTOR P/Panel	01
11	30	INT UNIP 6A-on/off GREEN M1FT1DE3B 30123	01
12	2277	TRIPOLAR AC OUTLET W/DOOR FUSE	01
13	12539	HANGING CABLE IEC male/FEMALE (0, 72MTS)	01
14	13342	TIMOTION CONTROL BOX MOUNTED	01
15	13406	PF ST INT CH STAINLESS M4 X 8	04
16	15426	BCC 6080C MECHANIC BED MOUNT GIII	01
17	15428	SUPPORT The GIII CCO6080C BOX	01
18	15430	EMERGENCY BUTTON SUPPORT	01
19	15432	ON-OFF BUTTON SUPPORT	01
20	15434	CONNECTOR SUPPORT CFP	01

INSTRUCTION FOR ASSEMBLY AND TEST HHOU-2010

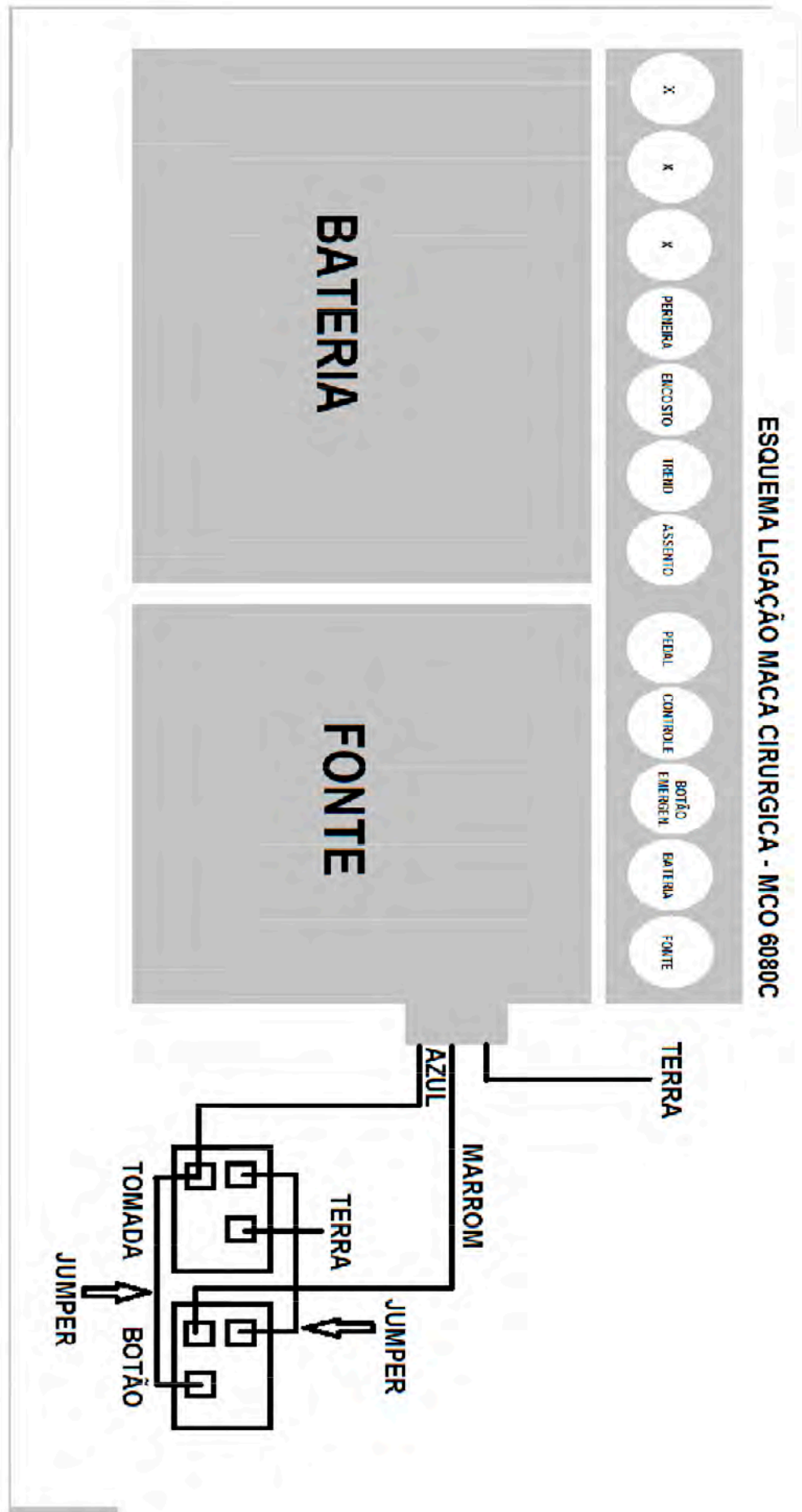
Instruction
IT-MCO 01

Version 1.0

Page: 9 of 18



Esquema Elétrico



**INSTRUCTION FOR ASSEMBLY
AND TEST HHOU-2010**

**Instruction
IT-MCO 01**

Version 1.0

Page: 11 of 18

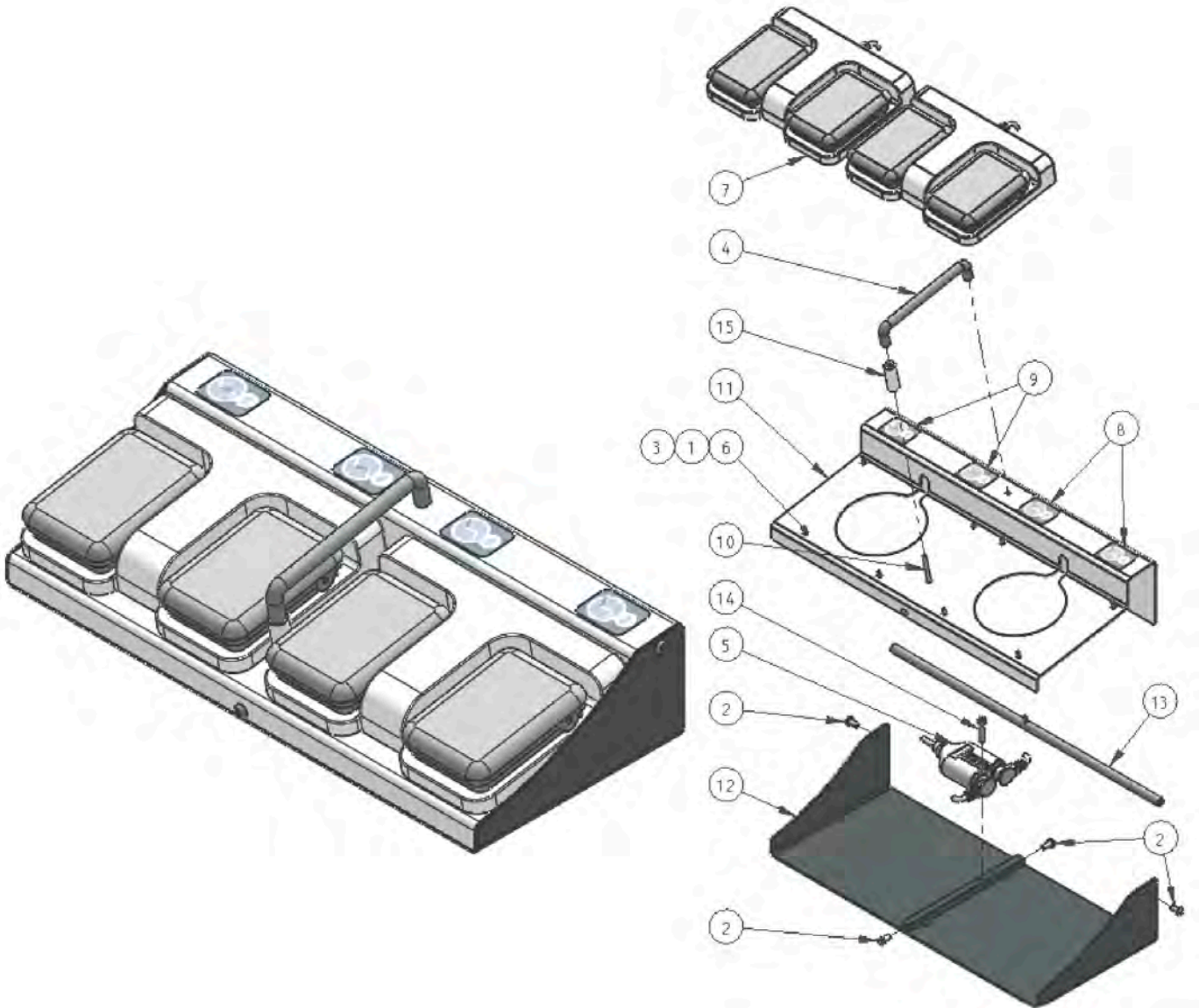
POS.	CODIGO	DESCRIPTION	QTY
1	250	ARR LISA M3 125 ZN	08
2	1634	PF ST INT AB M5 X 12 P STAINLESS 0.8	04
3	11687	ARR PRESSURE M3 ZN	08
4	14113	HANDLE PAUMA 140 128 mm CHROME	01
5	14316	TIMOTION HUB TYC	01
6	14317	PF PA PF 2.9 X 12 AA	08
7	13944	DOUBLE PEDAL TIMOTION TFS3-11211011/TFS3-12315011	01
8	13677	APR244 ADHESIVE JCF35-1 PEDAL-BACKREST	01
9	13679	APR246 ADHESIVE JCF35-PEDAL 3-SEAT	01
10	15132	PF ST INT C/C STAINLESS M4 X 40 P 0.7	01
11	15443	TOP LOCK PEDALS CONTROLLERS	01
12	15449	LOWER CLOSURE OF PEDALS CONTROLLERS	01
13	15450	TOP BAR FAIRING PEDAL LOCK	01
14	15451	PF ST INT C/C STAINLESS M5X25 P 0.8	01
15	3398	ESPACADOR 33 mm DES 15040278 (white ICE smooth)	01

INSTRUCTION FOR ASSEMBLY AND TEST HHOU-2010

Instruction
IT-MCO 01

Version 1.0

Page: 12 of 18



**INSTRUCTION FOR ASSEMBLY
AND TEST HHOU-2010**

**Instruction
IT-MCO 01**

Version 1.0

Page: 13 of 18

5th-Stage. Full CCO mounted HHOU-2010

Bill of materials-COD. SIST. 15457

POS.	CODIGO	DESCRIPTION	QTY
1	173	PF PA PF 4.8 X 19 AA	17
2	1633	PF ST INT AB M5 X 10 P STAINLESS 0.8	04
3	1634	PF ST INT AB M5 X 12 P STAINLESS 0.8	04
4	2148	PF ST M8 X 35 MA RI ZN	01
5	2160	PF ST INT INOX S/C M6 X 6 P1 PR	08
6	2515	CHROME STEEL BALL CLASS 3-5, 0 mm	08
7	4286	PF AA FP 4.8 CH X 19 STAINLESS	04
8	6343	ATG SCREW M8 118 GRAY 1426	01
9	8118	PF ST INT C/C STAINLESS STEEL M6 X 16 P1	02
10	10155	"GANCHEIRA" INJECTED BLACK HOOK 2	01
11	10832	PF CHIP-BOARD CH FP 5.0 X 25 BC	15
12	14090	PF ST INT INOX S/C M6 X 10	08
13	13344	MAO TIMOTION CONTROL for 6 TH12 ACTUATORS-B522-2116-301	01
14	15435	ELECTRIC BCC 6080C MOUNTED GIII	01
15	15438	SPRING LATCH SUPPORT SERUM CCO6080C GIII	01
16	15453	VACUUM FORMING BASE BCC 6080C FAIRING GIII	01
17	13748	BCC 6080C GII DES UPHOLSTERED 11013748	01
18	13761	VACUUM FORMING FAIRING LEFT BCC 6080C SEAT GII DES 11013761	01
19	13762	VACUUM FORMING RIGHT SEAT FAIRING CCO 6080C GII DES 11013762	01
20	13763	VACUUM FORMING CUFF COVER 6080C GII DES 11013763 CCO	01
21	13764	VACUUM FORMING BACKREST COVER CCO 6080C GII DES 11013764	01
22	2212	VACFORM-BACKREST COVER HEAD MCO-APM3 (PSAI 4 mm HIGH GLOSS GREY COD. DP-719/00) DES 15040849	01
23	13668	FIXATION SUPPORT BACKREST HEAD BCC 6080C GII DES ARTICULATED 15110560	01
24	2115	BACKREST LATCH HEAD COORDINATION DES 15111008 (SANDBLASTED)	01
25	13592	COORDINATION HEAD TABLE CLINIC MCO APM3 GII 2015 DES 15180128 (CR)	01
26	10177	STAINLESS STEEL PIPE BOTTOM SUPPORT SERUM DES 20020408	01
27	10176	STAINLESS STEEL TUBE SUPERIOR SUPPORT SERUM DES 20020418	01
28	10181	FEMALE SLEEVE STAINLESS TUBE CAR UNION DES 20020428 PHACO	01
29	10189	MALE STAINLESS TUBE SLEEVE CAR PHACO DES 20020438	01
30	10484	"GANCHEIRA" SUPPORT SLEEVE CAR PHACO DES 20020578	01
31	13747	SIDE PROTECTION GRID MCO 6080C DES 35013747	02
32	13743	STOP DELRIN Ø25 X 40 mm DES 46013743	02

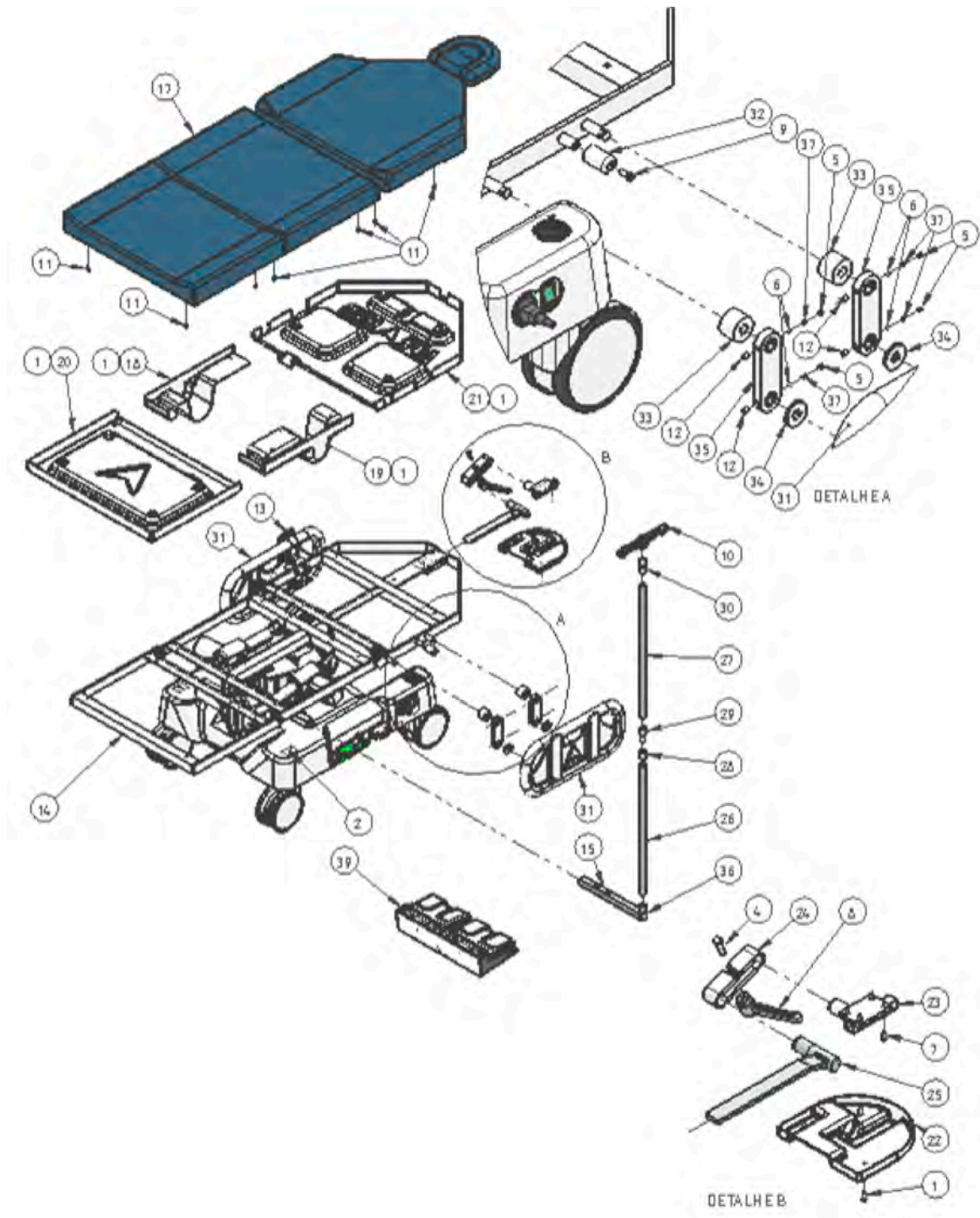
INSTRUCTION FOR ASSEMBLY AND TEST HHOU-2010

**Instruction
IT-MCO 01**

Version 1.0

Page: 14 of 18

33	13744	DELFIN BUSHING Ø12 X Ø 38 X 27, 3 mm DES 46013744	04
34	13745	DELFIN WASHER 14 X Ø 38 X 4, 3 mm DES 46013745	04
35	13746	COORDINATION ARM of the GRID MCO 6080C DES 46013746	04
36	13749	SERUM SUPPORT DES 46013749	01
37	14091	COMPRESSION SPRING WIRE 0, P2 5XD4X9MM, 00 mm STAINLESS SPRING STEEL DES 11014091	08
38	15455	BASE FAIRING SUPPORT	02
39	15452	DOUBLE PEDAL MOBILE CCO 6080C GIII	01

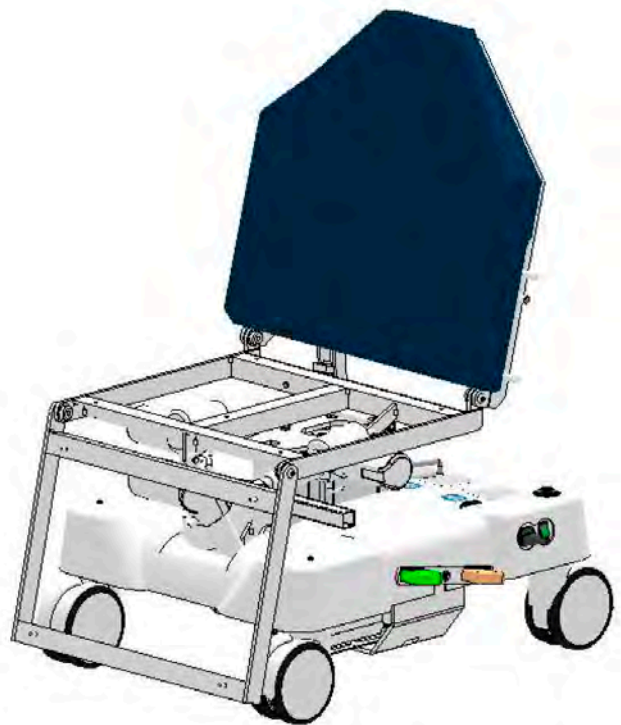
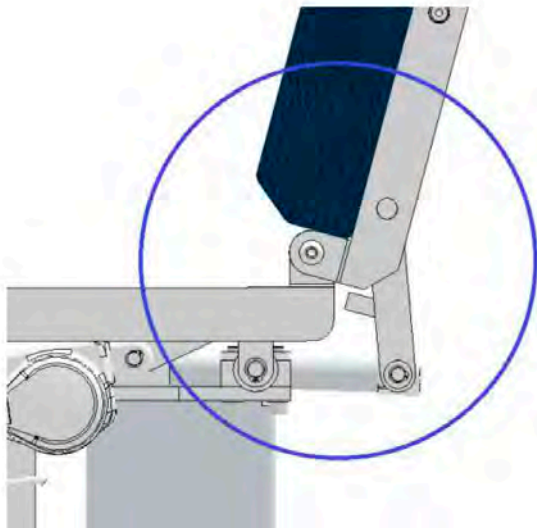
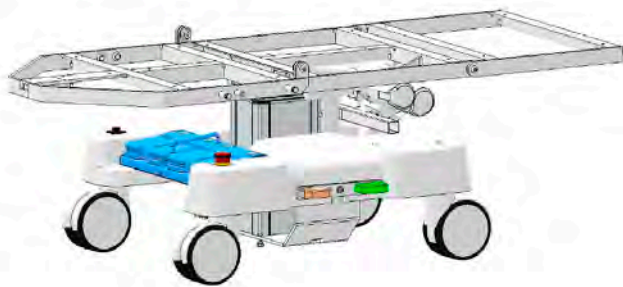
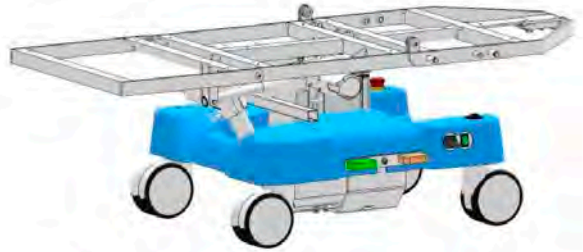
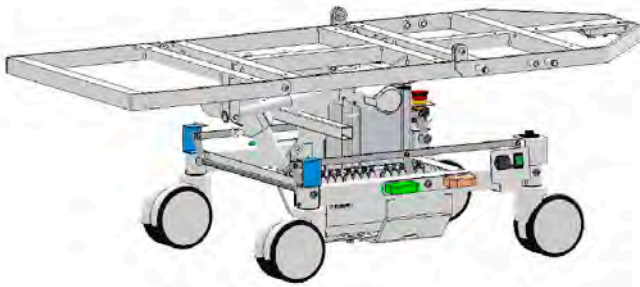


INSTRUCTION FOR ASSEMBLY AND TEST HHOU-2010

Instruction
IT-MCO 01

Version 1.0

Page: 15 of 18

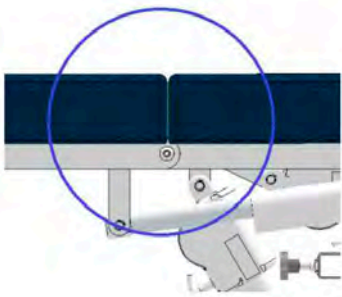
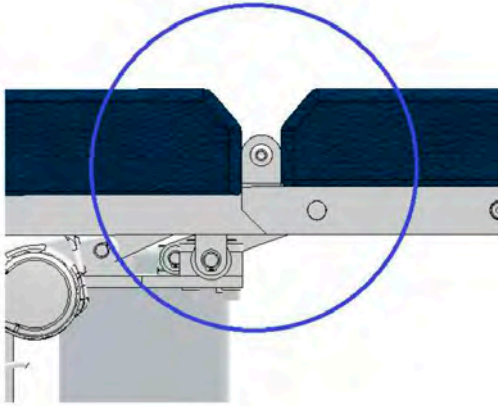


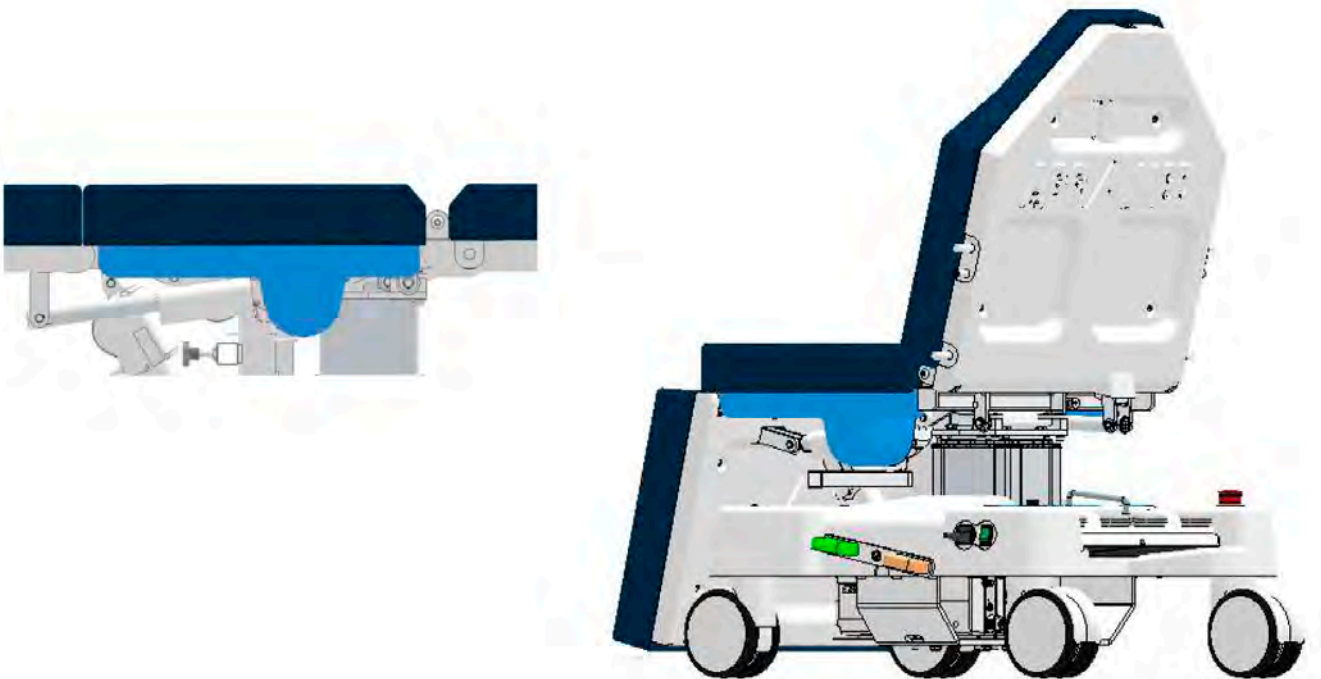
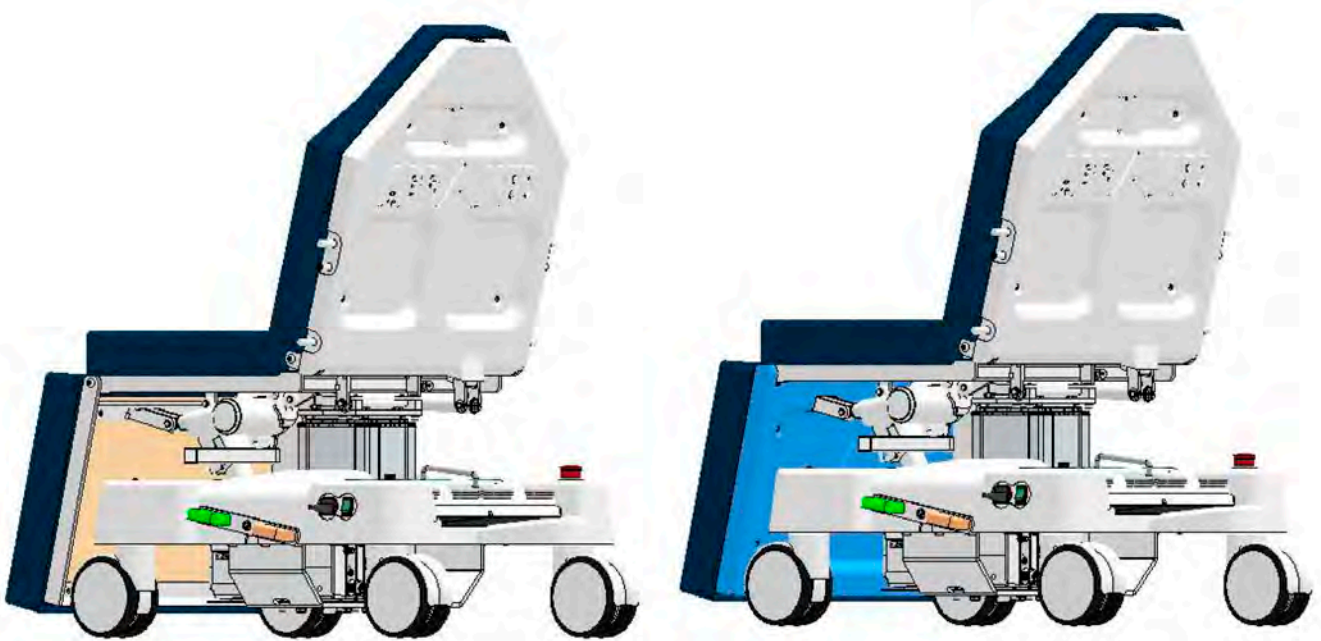
INSTRUCTION FOR ASSEMBLY AND TEST HHOU-2010

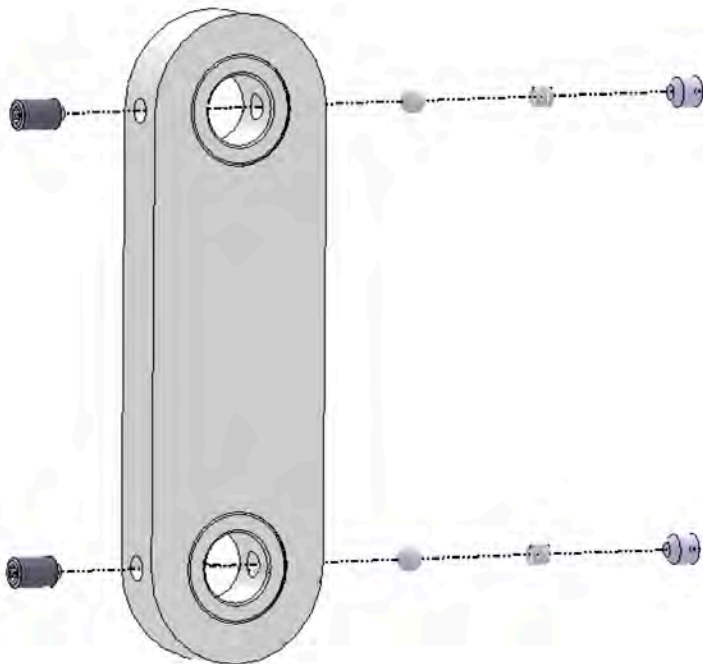
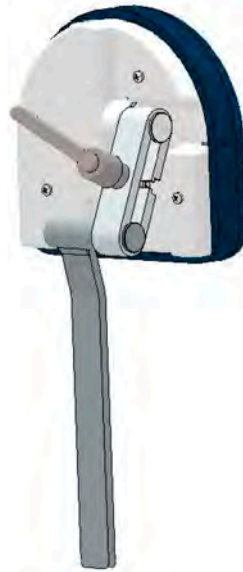
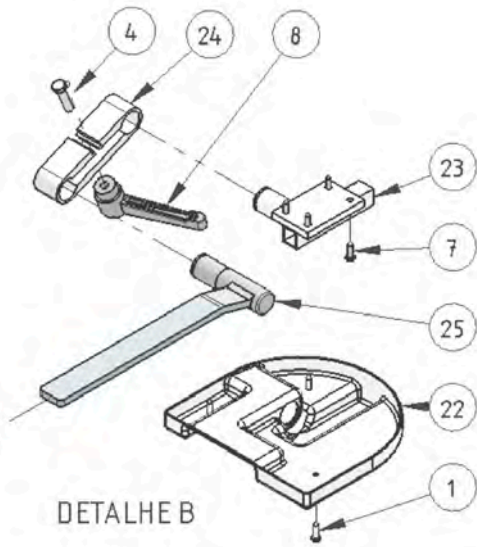
Instruction
IT-MCO 01

Version 1.0

Page: 16 of 18







BRACO
ARTICULAÇÃO



BUCHA DE DELRIN Ø12
X Ø38 X 27,3MM

