



**NEW**

# ULTRAM4

SLIT LAMP SERIES



The **Marco Ultra M Series** is an inspiring orchestration of the Ultra Optics pedigree, elegant and intelligent design, progressive engineering, and functional flexibility. Never have more relevant design enhancements been assembled in a single slit lamp series.

Experience the uncompromised quality, control, and reliability of the Ultra M Series embodied in the most contemporary and functionally empowering slit lamp design ever.

**We've reimagined better...and beyond**



**MERCOFRAMES**  
OPTICAL CORP

+1 305-882-0120

5555 NW 74 Av.  
Miami, FL 33166

sales@mercoframes.net  
www.mercoframes.com

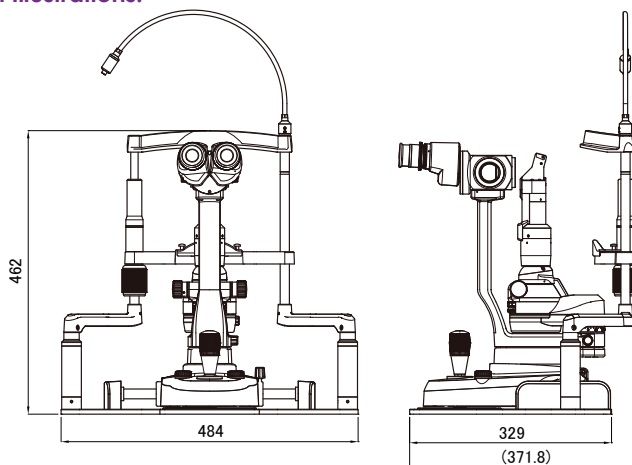
# ULTRA M4 Specifications

20 Years ago, Marco changed the boundaries of conventional slit lamp design and performance with the original Ultra Series. Today, the **Ultra M Series** introduces a new era of diagnostic empowerment. Marco has again established the latest standard in slit lamp examinations.

- Single-element, high-luminance LED illumination
- 5-power Parallel / Galilean optics
- 0-14mm continuously adjustable aperture
- Patented, built-in Background Illumination system for digital imaging
- Completely integrated (cable free) low voltage electronic system
- Expanded chin rest design for easier patient access
- Cobalt blue, Red-free, Yellow, Blue LED correction filters
- Self-contained headrest & baseplate assembly

<b>Type Binocular Stereomicroscope</b>	Parallel (Galilean)
<b>Light Source</b>	LED
<b>Light Source Configuration</b>	Compact/horizontal
<b>Background Illumination</b>	Yes
<b>Light Filters</b>	Blue, Red-free, Blue LED Correction
<b>Slit Width</b>	0-14mm continuous variable
<b>Aperture Diaphragm Diameter (Ø)</b>	14, 8, 5, 3, 0.3mm
<b>Total # Power Magnifications</b>	5 (6.3x, 10x, 16x, 25x, 40x)
<b>Magnification Change</b>	5 Position Rotating Drum
<b>Eye Pieces</b>	16x wide-field, high-eyepoint
<b>Real Field of View (Ø)</b>	35.9mm, 23.3mm, 14mm, 8.8mm, 5.5mm
<b>Interpupillary Adjustment</b>	52-82mm
<b>Diopter Adjustment Range</b>	(+/-) 7 diopters
<b>Horizontal Coarse Movement</b>	105mm
<b>Horizontal Fine Movement</b>	15mm
<b>Vertical Movement</b>	30mm
<b>Fixation Light Source</b>	Red LED on Flexible Arm
<b>Large Patient Chin Rest</b>	Yes
<b>Chinrest Elevation</b>	95mm
<b>Power Supply</b>	AC100V-240V (+/-10%)
<b>Power Consumption</b>	DC5V 2A
<b>Weight</b>	11.5Kg

## Dimension Illustrations:



462mm h x 484mm w (front)  
462mm h x 329mm w (side)

**A complete line of custom Ultra M4 accessories are also available.**

