

INSTRUMENT TABLES

MARCO OFFERS THREE STYLES OF INSTRUMENT TABLES

A standard, manually elevated base via an easily accessible wheel.



An electrically operated base for heavier instruments.



And, for those who prefer the additional ease of operation, an electrically controlled offset wheelchair accessible table.





MANUAL “H” INSTRUMENT TABLE BASE

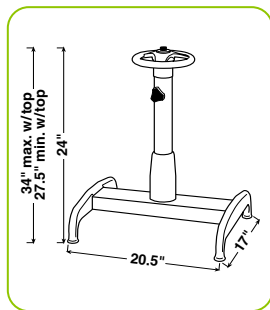
The Manual Table Base is elevated with an easy to reach elevating wheel for smooth operation. The table base will accept a slit lamp, a single tabletop, or a double tabletop for more than one instrument. The single tabletop and the double tabletop require a heavy-duty mounting bracket. Casters are optional.

ELECTRIC H-BASE TABLE

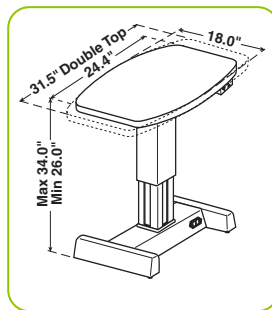
The Electric H-Base Table is for heavier instruments, or for those who prefer electric elevation. The electric table easily accepts a slit lamp, a single tabletop, or a double tabletop, just as the Manual Table Base. The single tabletop and the double tabletop require no additional mount. Casters are a standard accessory.

OFFSET WHEELCHAIR ELECTRIC TABLE

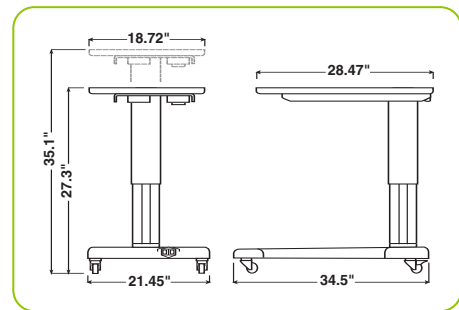
The newest table in the Marco line is the Offset Wheelchair Electric Table. Uniquely designed, the wheelchair table has dual purposes. Not only does it add a modern look to any office, it is also a heavy-duty table that will support multiple instruments, and/or easily accommodate wheelchair patients. The Offset Wheelchair Electric Table is the standard wheelchair table configuration.



MANUAL H-BASE TABLE



ELECTRIC H-BASE TABLE



OFFSET WHEELCHAIR ELECTRIC TABLE



Marco-Certified Quality assures you of the very finest vision products, offering advanced technology, industry-leading durability and enhanced productivity for your practice. Marco-Certified Quality is your mark of confidence.

PO55000 BR-TABLE

