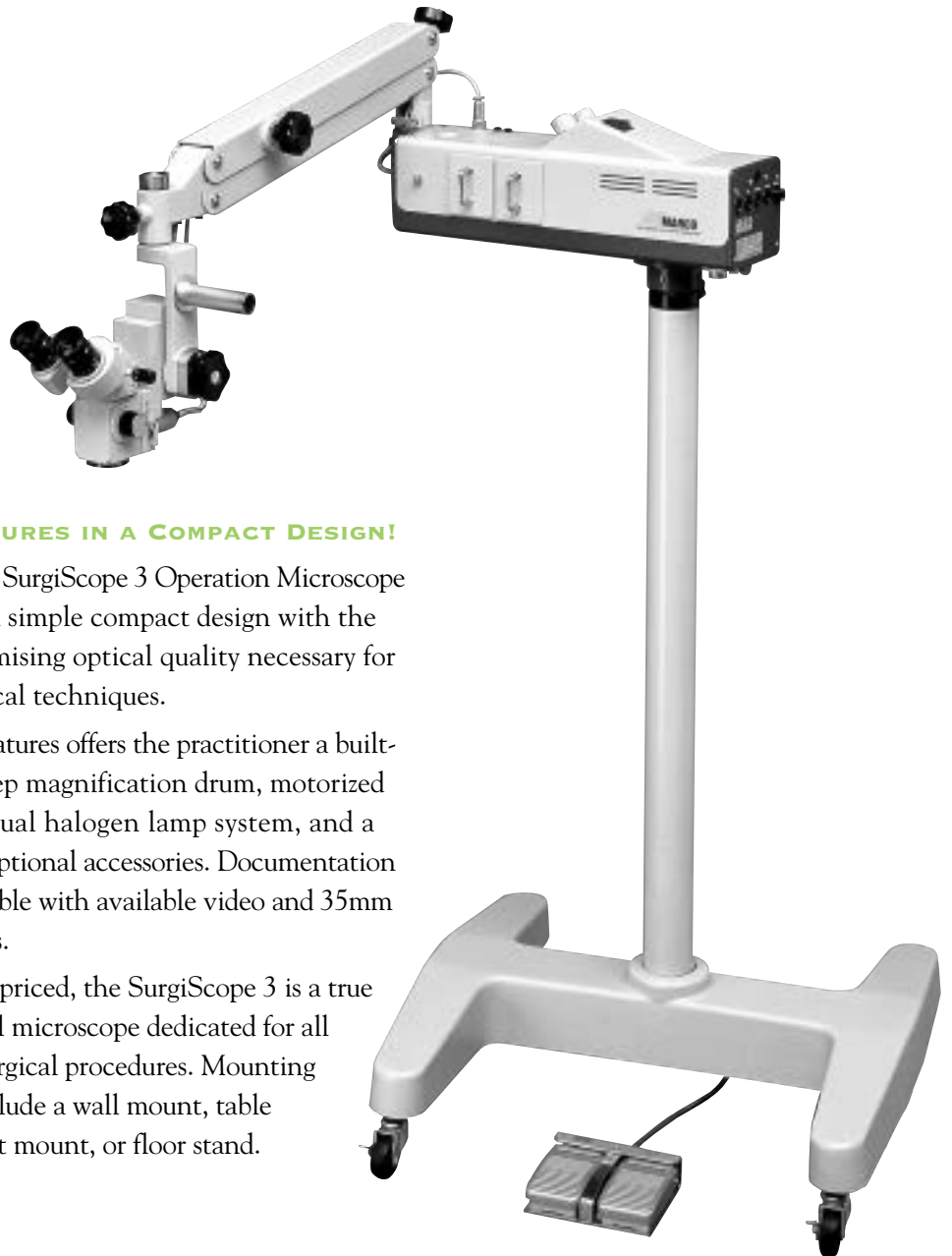


SURGISCOPE 3 OPERATION MICROSCOPE



BIG FEATURES IN A COMPACT DESIGN!

The Marco SurgiScope 3 Operation Microscope combines a simple compact design with the uncompromising optical quality necessary for microsurgical techniques.

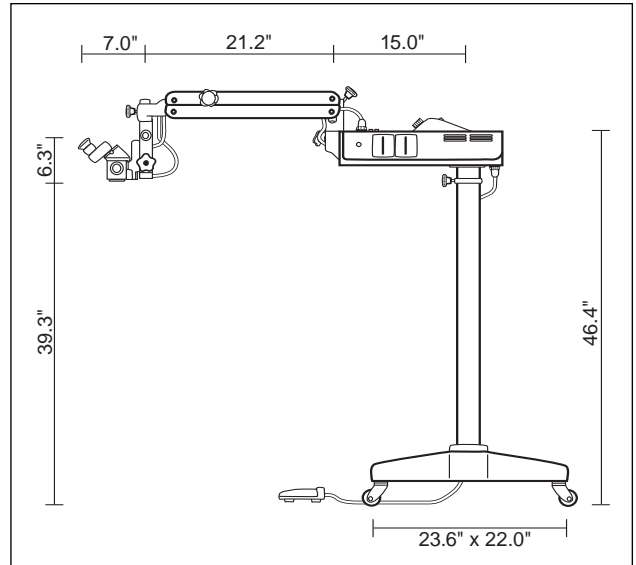
Its list of features offers the practitioner a built-in three-step magnification drum, motorized focusing, dual halogen lamp system, and a variety of optional accessories. Documentation is also possible with available video and 35mm camera kits.

Affordably priced, the SurgiScope 3 is a true professional microscope dedicated for all in-office surgical procedures. Mounting options include a wall mount, table mount, unit mount, or floor stand.

SURGISCOPE 3 SPECIFICATIONS

MICROSCOPE SECTION

Binocular Tube	INCLINED WITH CONVERGING OPTICS
Eyepieces	2
Magnification Changes	BUILT-IN MANUAL 3-STEP CHANGER
Total Magnification	45/23X
Field of View	3.5MM; 4MM; 6MM
Objective	F11M (FOR OPHTHALMOLOGY) F16.5/31M (FOR GENERAL MICROSURGICAL FIELDS)
Focusing Speed	FINE MOVEMENT AT 20MSEC., STROKE 30M
Working Distance	11M
Interpupillary Distance Adjustment	7-21M
Diopter Adjustment	0-8



Surgiscope 3

ILLUMINATION SYSTEM

Type	COAXIAL ILLUMINATION & OPTICAL LIGHTGUIDE SYSTEM
Light Source	HALOGEN LAMP
Illumination Control	CONTINUOUS ADJUSTMENT
Field of Illumination	11M
Filters	COBALT BLUE, RED-FREE, BATA-BORING, ULTRAVIOLET SHIELD
Intensity of Illumination	6 LUX

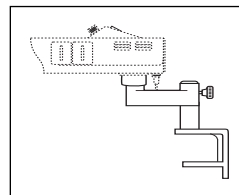
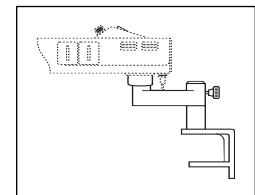
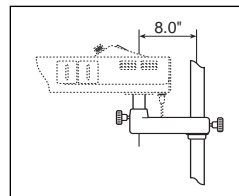


Table mount



Wall mount



Unit mount

STAND SECTION

Type	FLOOR STAND; TABLE, UNIT, OR WALL MOUNT
Vertical Range of Counterbalanced Arm	300M

GENERAL INFORMATION

Base Size	2.820M X 1.1M
Weight	325.0(S.)
Height	510M
Electrical Power	AC 100-120V
Power Consumption	150W



Marco-Certified Quality assures you of the very finest vision products, offering advanced technology, industry-leading durability and enhanced productivity for your practice. Marco-Certified Quality is your mark of confidence.

PLAY IT SAFE.

PROTECT YOUR WARRANTY. BUY YOUR MARCO PRODUCT ONLY FROM AN AUTHORIZED MARCO DISTRIBUTOR. CALL MARCO FOR THE NAME OF THE DISTRIBUTOR NEAREST YOU.

504200-BR-SURGISCOPE

www.mercoframes.com



MERCOFRAMES